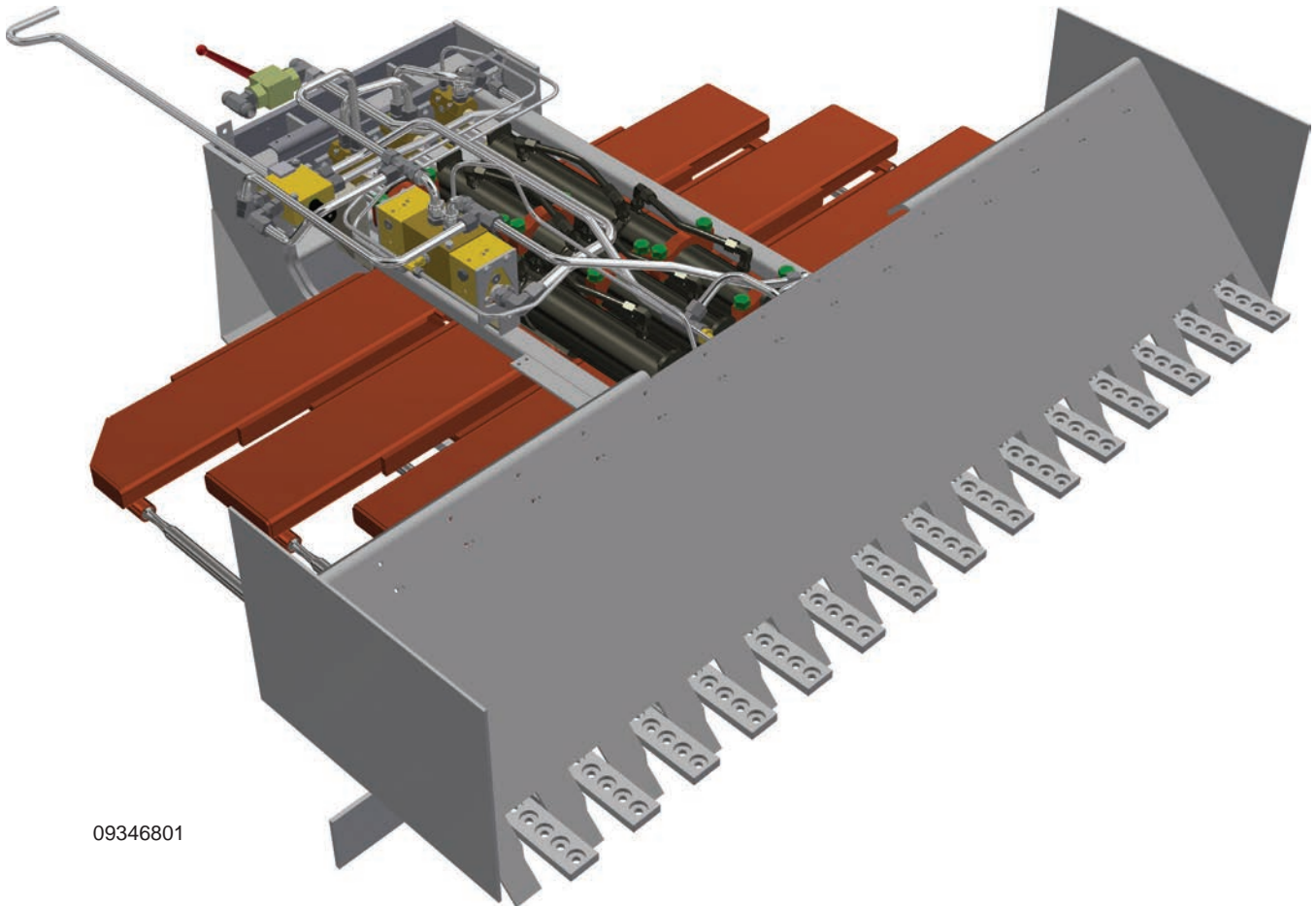


LeakProof 16

KEITH Manufacturing Co.
www.KeithWalkingFloor.com
World Headquarters
Toll-Free: 800-547-6161
Phone: +1-541-475-3802



09346801



PARTS CATALOG

©2023 KEITH Manufacturing Co. All Rights Reserved. KEITH, KEITH logo and WALKING FLOOR are registered trademarks of KEITH Manufacturing Co. Equipment manufactured by KEITH Manufacturing Co. is protected by numerous patents both domestic and foreign.

Released: 2023-10-11

DOC06389 Rev. D

Table of Contents

Contact Information - KEITH Manufacturing Co.	ii
Service Information	ii
King Pin Assembly	1
Drive Frame, Shield, Rod Bushings & Clevis Bar Assemblies	2
Grease System Assembly	7
Cross-Drive Assembly	9
Hydraulic Tubes & Fittings	11
Hydraulic Fittings	12
Hydraulic Tubes & Fittings (Manual/Electric BV (SAE), Manual CV)	13
Hydraulic Tubes & Fittings (Manual/Electric BV, Inline Filter, Manual CV)	14
Hydraulic Tubes & Fittings (Manual/Electric BV, Inline Filter, Electric CV, Restrictors)	15
Cylinder Assembly - ORFS (Jan 2020 - Present)	17
Cylinder Assembly - JIC (Pre - Jan. 2020)	19
Check Valve Assembly	21
Check Valve Assembly - Pilot-Operated DX	23
One-Way Restrictor Valve Assembly	25
Adjustable Restrictor Valve Assembly	27
Switching Valve Assembly - Pilot-Operated	29
Control Valve (Load/Unload) Assembly - Manual & Handle Assembly	31
Control Valve (Load/Unload) Assembly - Electric/Manual (Jan 2022 - Present)	33
Control Valve (Load/Unload) Assembly - Electric/Manual (Mar 2000 - Jan 2022)	35
Ball Valve (On/Off) Assembly JIC & ORFS- Manual	37
Ball Valve (On/Off) Assembly JIC - Electric	39
Ball Valve (On/Off) Assembly - Manual / Electric	41
Electric On/Off Valve Assembly JIC w/Integrated Filter	43
Tube Clamps	46

Contact Information - KEITH Manufacturing Co.

World Headquarters - USA

401 NW Adler St.
P.O. Box 1
Madras, OR 97741
Toll-Free: 800-547-6161
Phone: +1-541-475-3802
Email: Sales@KeithWalkingFloor.com

Canada

Brantford, ON
Phone: +1-519-756-9178
Email: CanadaSales@KeithWalkingFloor.com

México

Guadalajara, Jal.
Phone: +52-333-616-5079
Email: KMC_Mexico@KeithWalkingFloor.com

Australia

Waverley Gardens, VIC
Phone: +61-3-9562-2190
Email: AUSales@KeithWalkingFloor.com

Europe

Barneveld, The Netherlands
Phone: +31-342-422007
Email: EuroSales@KeithWalkingFloor.com

Not all parts or services available in all regions. Some components may only be sold assembled or in kits. Contact your regional office for information on available parts and services.

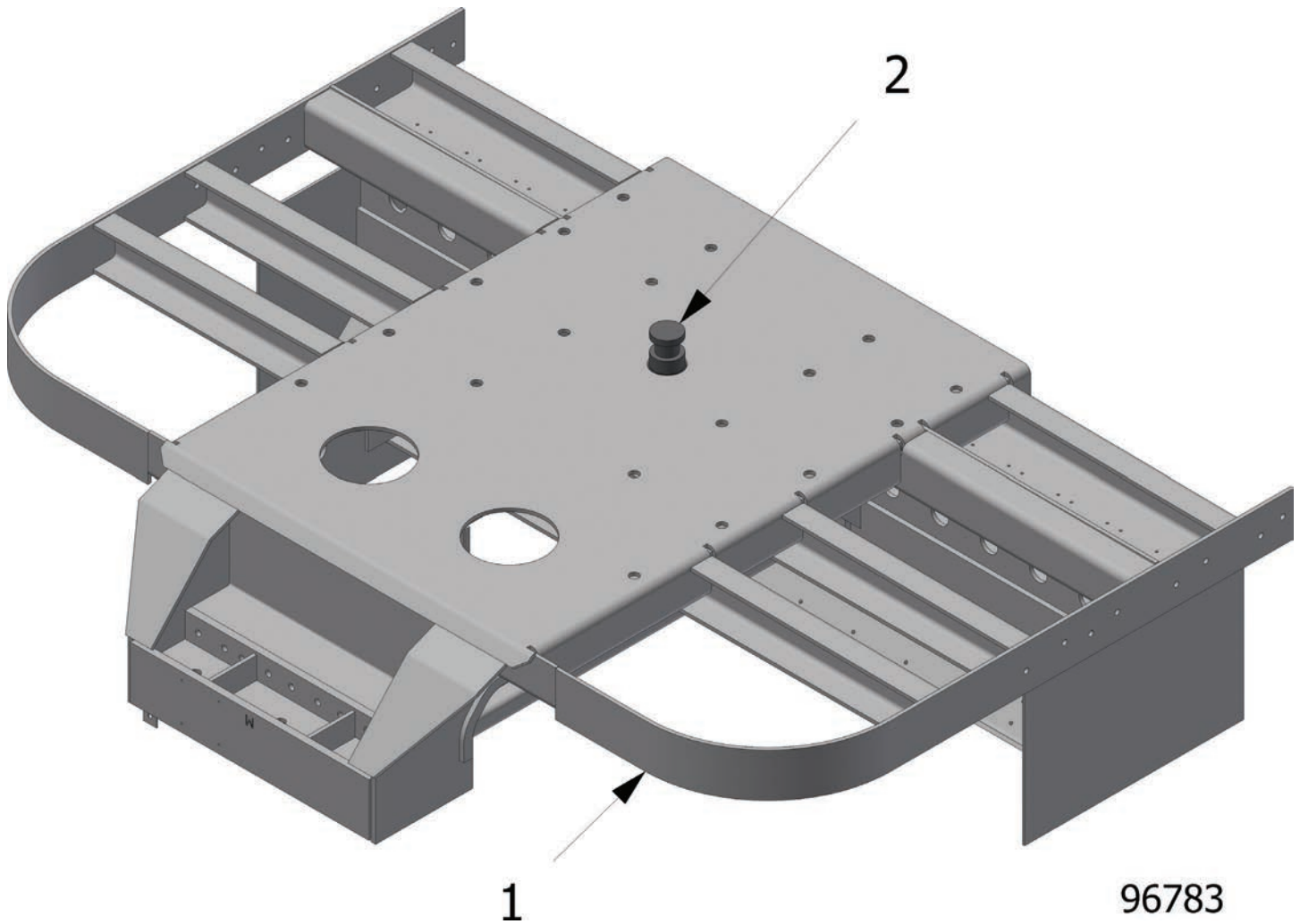
Service Information

- Use hydraulic oil or Vaseline to lubricate seals. Do NOT use grease.
- Do NOT use Teflon tape on any hydraulic components.
- When welding on drive frame, ground specifically to what you are welding on, otherwise it can short across component assemblies damaging seals and gaskets.
- KEITH sells flow meters, pressure testers for troubleshooting and several tools to aid in rebuilding components and drives.

KEITH Mfg. fabricates many standard drive systems, included in this parts catalog, and also fabricates custom drive systems, too numerous to include, therefore KEITH requires the following information from your drive system to ensure we provide you with most accurate information. Please have the following information readily available before contacting KEITH for support:

- Model Number (Located on the Serial Plate of the drive unit)
- Serial Number (Located on the Serial Plate on the drive unit)
- Quantity & length of floor slats
- Vehicle make and unit installer

King Pin Assembly

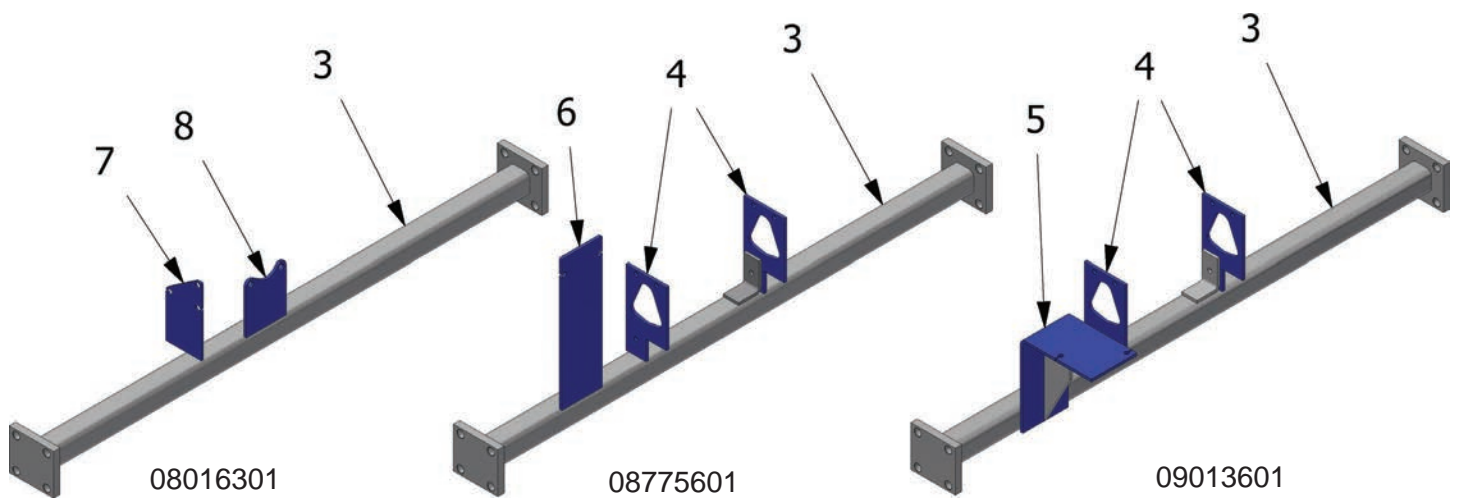
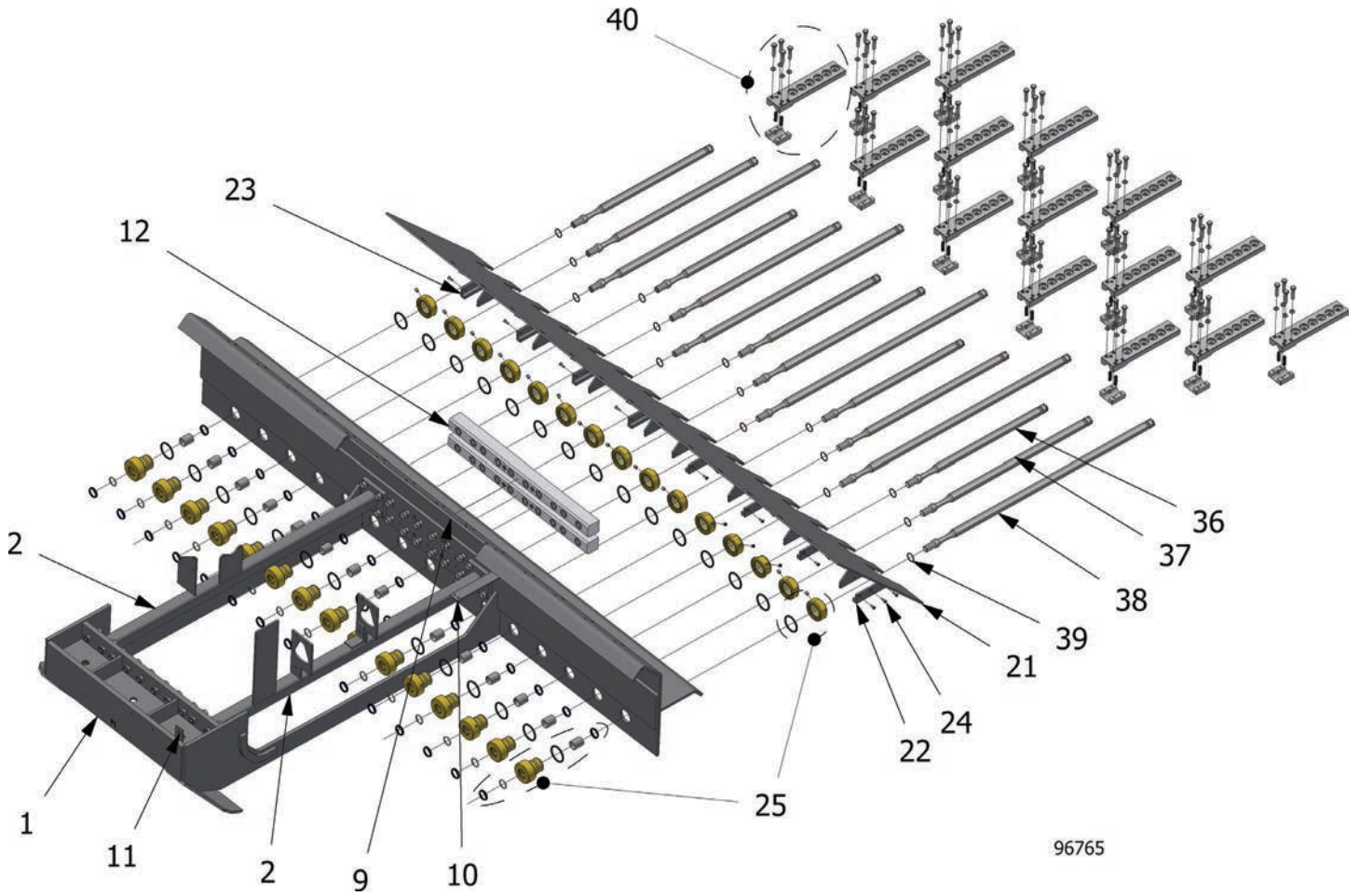


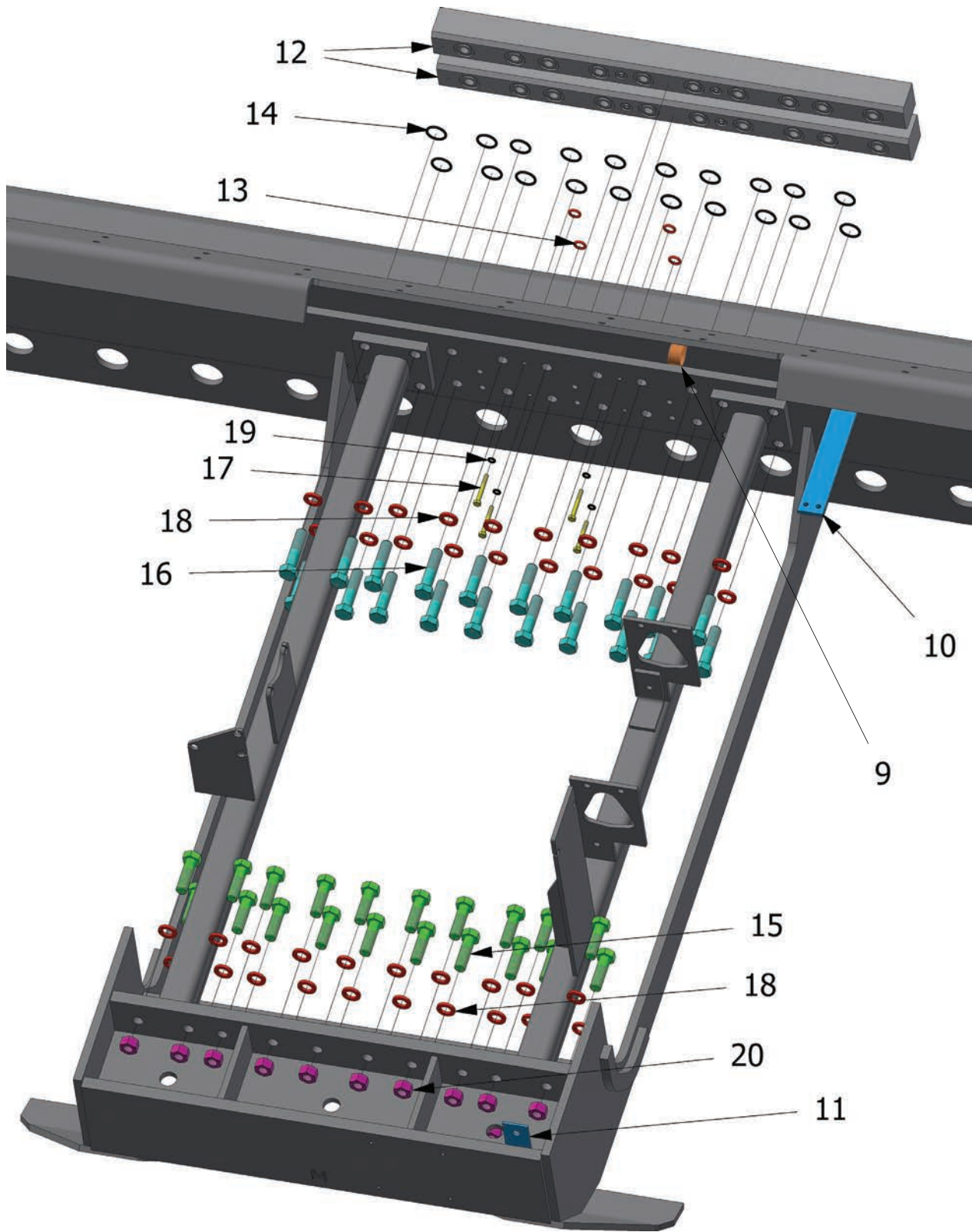
King Pin Assembly

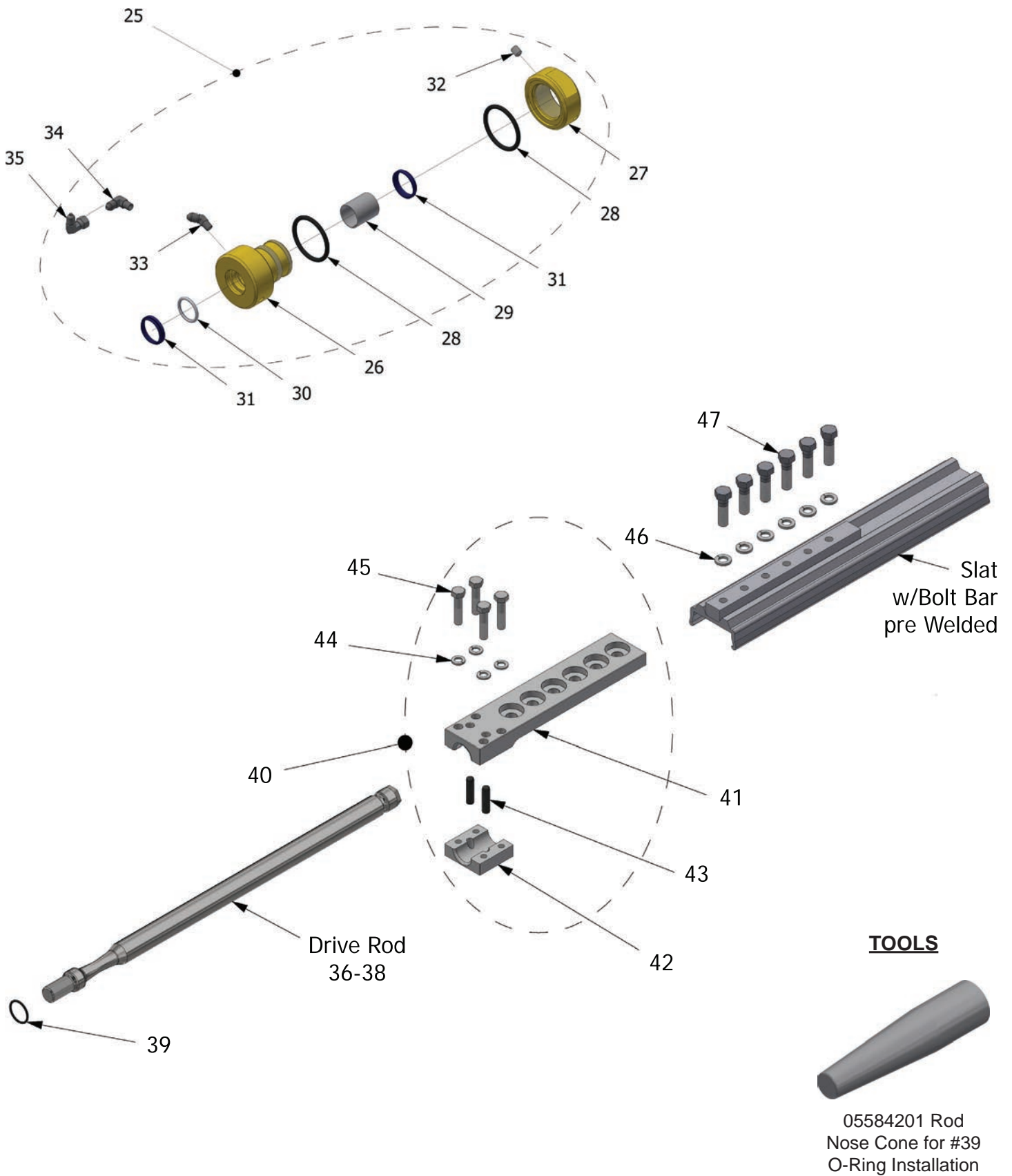
ID#	Qty	Part #	Description
1	1 ⁽¹⁾	09343101	King Pin Plate Assembly, LP16
2	1 ⁽¹⁾	83867000	King Pin

⁽¹⁾ King Pin Plate Assembly and King Pin are optional accessories.

Drive Frame, Shield, Rod Bushings & Clevis Bar Assemblies







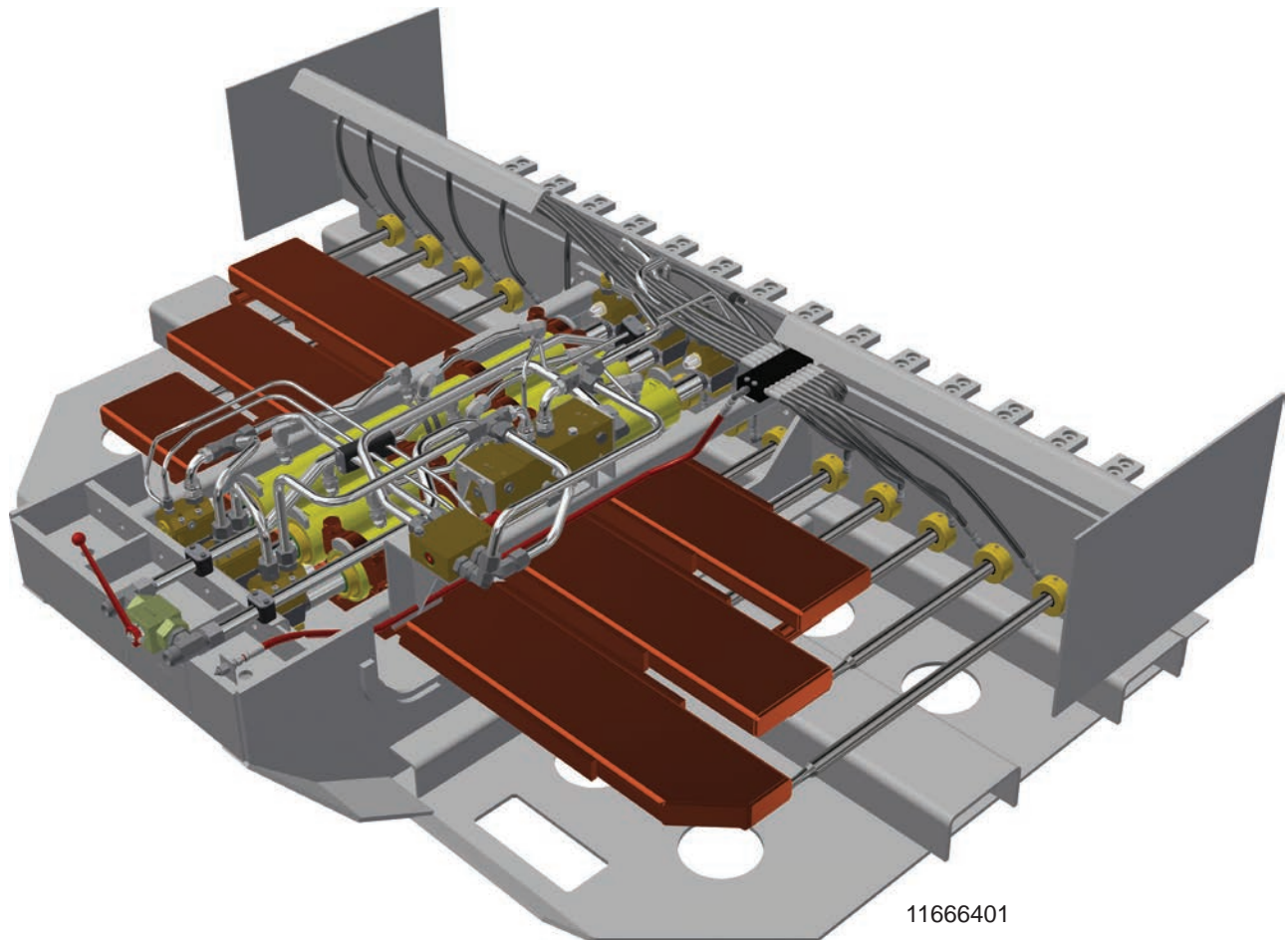
Drive Frame, Shield, Rod Bushings & Clevis Bar Assemblies

ID #	Qty	Part #	Description
1 ⁽¹⁾	-	-	Drive Frame, LP16 (Includes items 2-11)
	-	09013601	TIE TUBE, SWV & MANUAL CV MOUNTS (Includes items 3-5)
2	-	08775601	TIE TUBE, SWV & ELEC CV MOUNTS (Includes items 3, 4, 6)
	-	08016301	TIE TUBE, BV W/ IF MOUNTS (Includes items 3, 7-8)
3	1	04790801	TIE TUBE ASSEMBLY
4	2	08775501	Mounting Plate SWV
5	1	05757401	MOUNT ANGLE MANUAL CTV LP3
6	1	07250201	MOUNT PLATE CTV LP3 DX ECV
7	1	05188101	INBOARD LP BV MT PLATE PO ELEC ON/OFF BV
8	1	05188401	MOUNT PLATE LP PILOT OPERATED ELECTRIC ON/OFF BALL VLV
9	1	84750246	CLAMP HYD TUBE CL-19
10	1	04976401	MOUNT BRACKET DIST BLOCK LP3 GREASE VALVE MOUNT
11	1	05521401	MAIN GREASE FITTING MT BRACKET
12	2	04792702	Nut Bar Metric
13	4	84379000	206 O-RING URETHANE
14	20	84381600	214 O-RING BUNA 90
15	20	87016520	Bolt Hex M16 X 55
16	20	87016700	Hex Bolt M16 X 70
17	4	87004400	Hex Bolt M6 X 50
18	40	87078000	Lock Washer M16
19	4	87075500	Lock Washer M6
20	20	87103000	Hex Nut M16
21	1	08363001	Lower Shield
22	4	04059401	UHMW Extension Bearing, Right
23	4	04060301	UHMW Extension Bearing, Left
24	24	86411500	Rolock Self-Tapper Screw 1/4" X 3/4"
25	1/slat	01322901	Water Dam Rod Bushing Kit (Includes Items 26-35) (Sold Only as Kit)
26	1	03421201	Bushing Drive Rod
27	1	03421302	Jam Nut Bushing Drive Rod (Set screw threads changed after Aug 2015)
28	2	84386200	O-Ring 330
29	1	84402000	Wear Ring Rod Cylinder 45mm
30	1	84382400	O-Ring 216
31	2	84425850	Wiper Rod 1 1/8" J1125
32	1	86404211	SCREW SOCKET SET M10-1.5x12mm CUP POINT ZINC (Post Aug 2015)
		86436010	SCREW SET SOC SS 3/8"X1/2" (Pre Aug 2015)
33	1	84677610	04-02 VTX-S MALE ELBOW MJIC X 45° MPIPE (2503-04-02)
34	1	84677180	04-02 CTX-S MALE ELBOW MJIC X 90° MPIPE (2501-04-02)
35	1	84688560	04 C6X-S SWIVEL ELBOW MJIC X FJIC

Drive Frame, Shield, Rod Bushings & Clevis Bar Assemblies

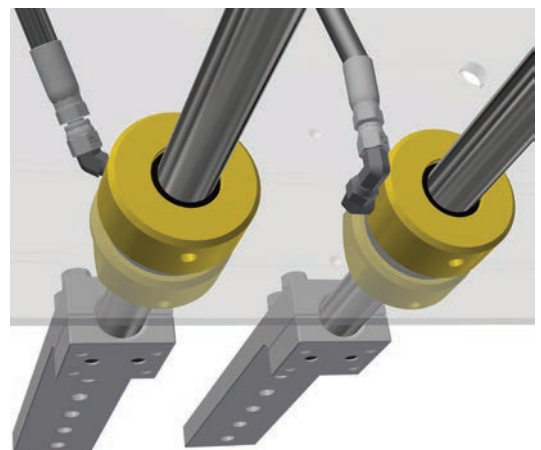
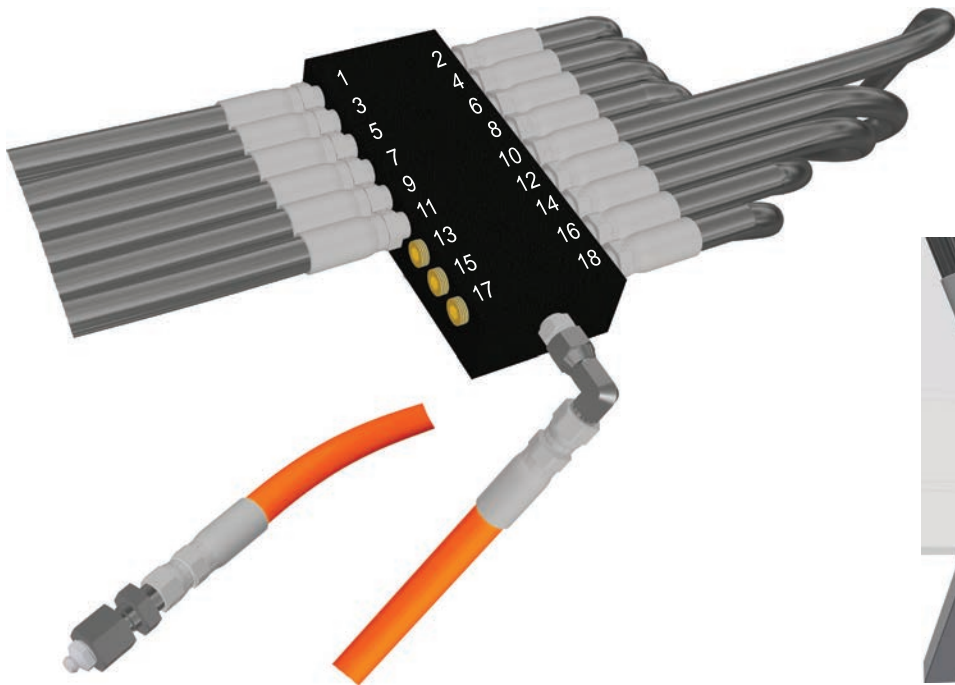
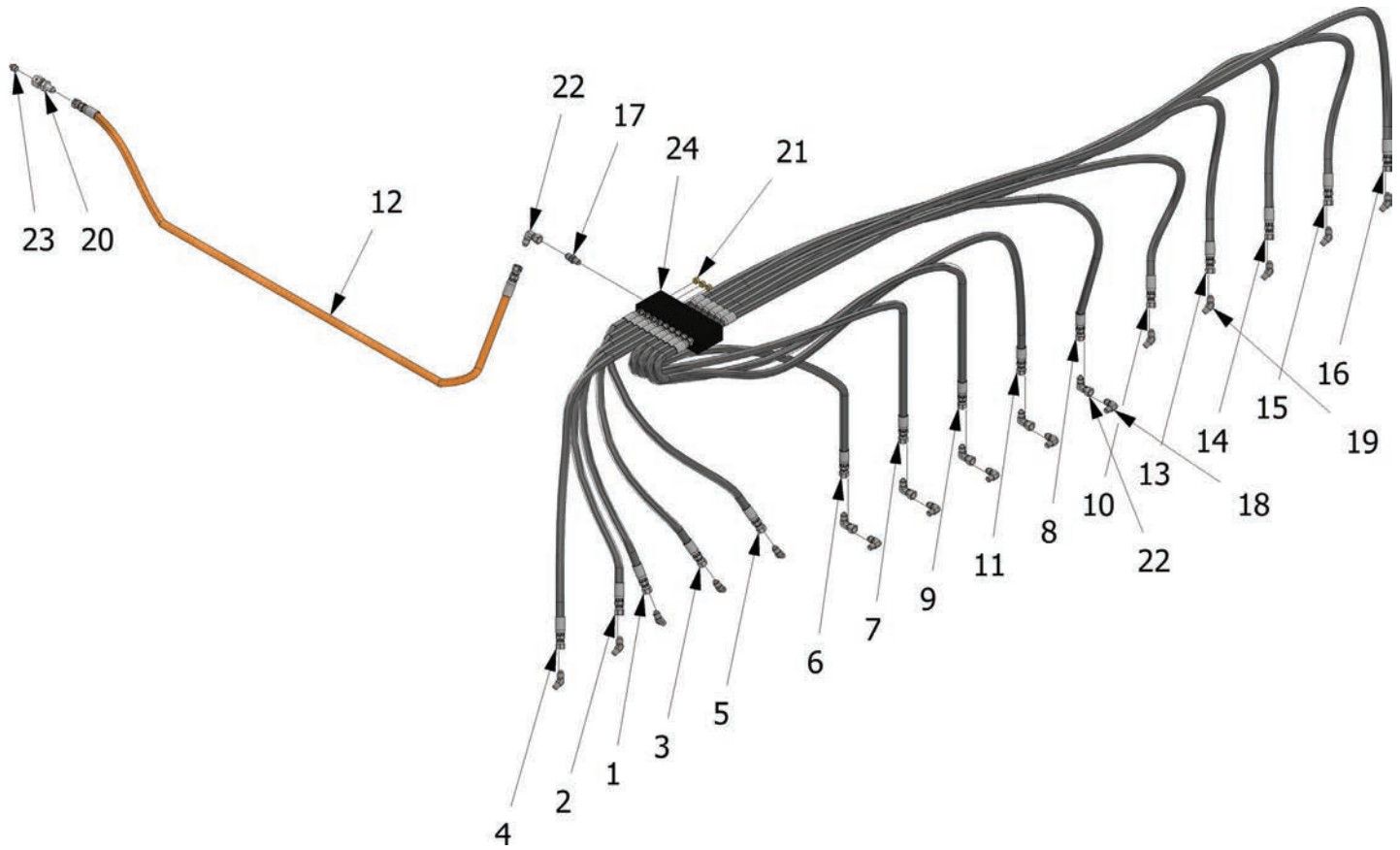
ID #	Qty	Part #	Description
36	1/3	09015101	Drive Rod, LP16, Short
37	1/3	09015201	Drive Rod, LP16, Medium
38	1/3	09015301	Drive Rod, LP16, Long
39	1/slat	84377800	O-Ring 122
40	1/slat	08639701	Clevis Bar Assembly (Includes Items 41-45)
41	1	08639501	CONNECTION BAR, CLEVIS, UPPER HALF LP
42	1	08639601	CONNECTION BAR, CLEVIS, LOWER HALF LP
43	2	86654519	Dowel Pin M10 X 40mm
44	4	87076500	Washer Lock 10mm
45	4	87008525	Bolt Hex M10 X 45
46	6/slat	87077000	WASHER LOCK 12MM ZN
47	6/slat	87012350	BOLT HEX 10.9 12MM-1.75 X 30MM ZN

⁽¹⁾ Part numbers and descriptions vary based on drive configuration and application.



11666401

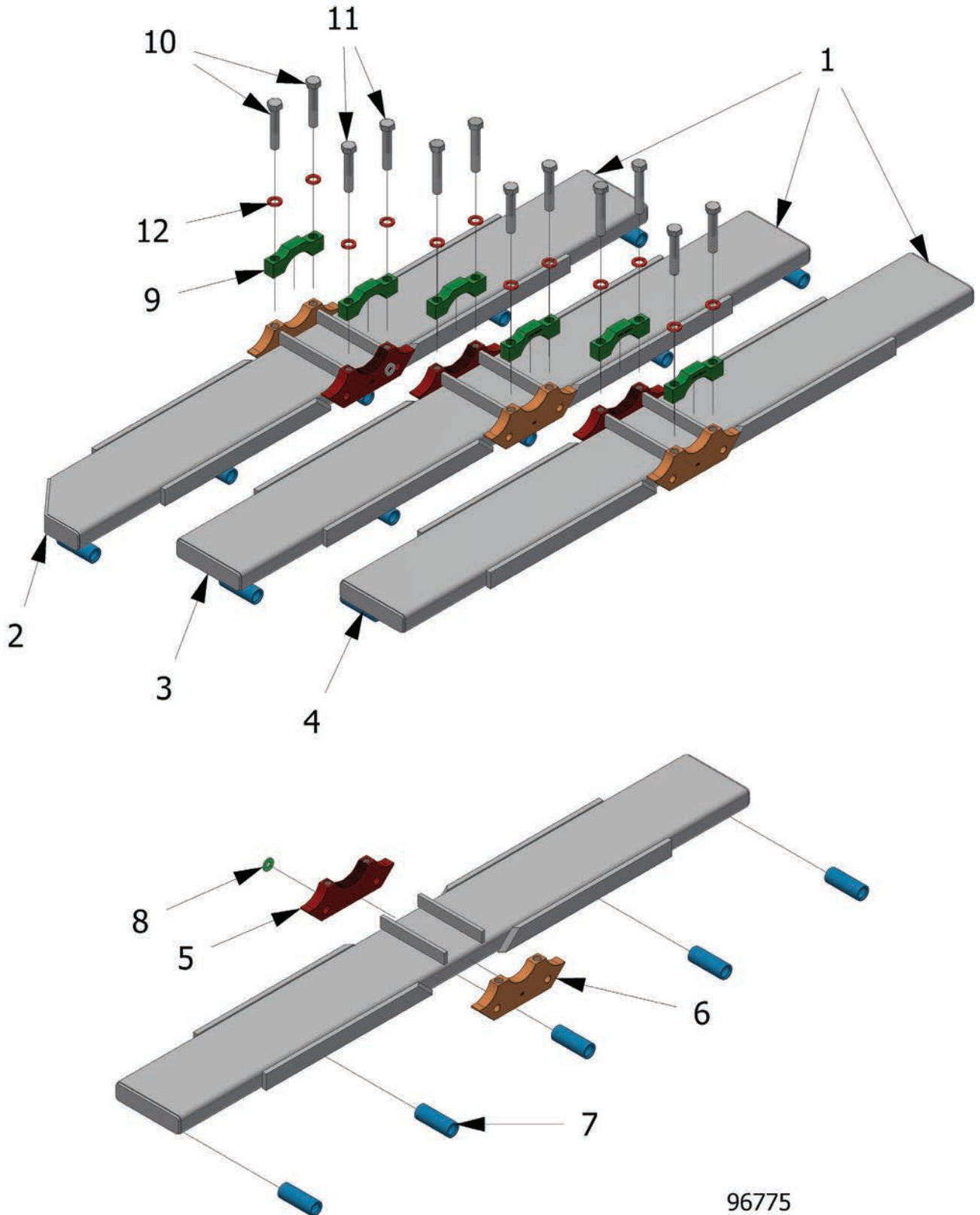
Grease System Assembly



Grease System Assembly

ID#	Qty	Part #	Port #	Description
-	-	05078301		SELF LUBE GREASE SYSTEM LP16/LP3 (Includes items 1-24)
1	1	84603000	14	HOSE GREASE ASSY 22.00" LP DRIVE SYSTEM
2	1	84603010	12	HOSE GREASE ASSY 23.00" LP DRIVE SYSTEM
3	1	84603020	16	HOSE GREASE ASSY 25.25" LP DRIVE SYSTEM
4	1	84603030	10	HOSE GREASE ASSY 26.25" LP DRIVE SYSTEM
5	1	84603040	18	HOSE GREASE ASSY 28.00" LP DRIVE SYSTEM
6	1	84603050	8	HOSE GREASE ASSY 33.50" LP DRIVE SYSTEM
7	1	84603060	6	HOSE GREASE ASSY 38.25" LP DRIVE SYSTEM
8	1	84603070	1	HOSE GREASE ASSY 41.75" LP DRIVE SYSTEM
9	1	84603080	4	HOSE GREASE ASSY 42.50" LP DRIVE SYSTEM
10	1	84603090	3	HOSE GREASE ASSY 44.00" LP DRIVE SYSTEM
11	1	84603100	2	HOSE GREASE ASSY 48.50" LP DRIVE SYSTEM
12	1	84603105	Main	HOSE GREASE ASSY FILL K518C 50.00" LP DRIVE SYSTEM ORANGE
13	1	84603110	5	HOSE GREASE ASSY 51.25" LP DRIVE SYSTEM
14	1	84603120	7	HOSE GREASE ASSY 56.25" LP DRIVE SYSTEM
15	1	84603130	9	HOSE GREASE ASSY 61.25" LP DRIVE SYSTEM
16	1	84603140	11	HOSE GREASE ASSY 65.50" LP DRIVE SYSTEM
17	1	84673400		04 FTX-S MALE CONNECTOR MJIC X MPIPE (2404 04-02)
18	5	84677180		04-02 CTX-S MALE ELBOW MJIC X 90° MPIPE (2501-04-02)
19	10	84677610		04-02 VTX-S MALE ELBOW MJIC X 45° MPIPE (2503-04-02)
20	1	84678665		04 WGTX-WLN-S, BULKHEAD UNION FPIPE X MJIC (2705-LN-04-02)
21	3	84680780	13,15,17	1/8"-27 NPT PIPE PLUG
22	6	84688560		04-02 CTX-S MALE ELBOW MJIC X 90° MPIPE (2501-04-02)
23	1	84704300		FITTING GREASE 1/8" PIPE 1610B
24	1	84706050		GREASE BLOCK LP3 LI619-28901 SSV18-K LINCOLN

Cross-Drive Assembly



96775

Cross-Drive Assembly

ID#	Qty	80 mm Part #	90 mm Part #	Description
1	-	09027001	09297101	Cross-Drive 15 Slat 3 Cylinder Set (Includes Items 2-4)
2	1	09027002	09297102	Cross-Drive 15 Slat Cylinder #1 (Includes Items 5-8)
3 ⁽¹⁾	1	09027003	09297103	Cross-Drive 15 Slat Cylinder #2 (Includes Items 5-7)
4	1	09027004	09297104	Cross-Drive 15 Slat Cylinder #3 (Includes Items 5-8)
5	1	04756302	05250302	Grooved 1-1/8 Upper Weld On Clamp
6	1	04756202	05250402	Smooth 1-1/8 Upper Weld On Clamp
7	5	09015401		Drive Shoe, LP16
8	1	86556530		Flat Washer 1/2"
9	2	04756801	03144801	Smooth Lower Barrel Clamp
10	2	87019597	-	Hex Bolt - M20 X 110 (Smooth Upper Barrel Clamp)
		-	87019600	Hex Bolt - M20 X 120 (Smooth Upper Barrel Clamp)
11	2	87019600	-	Hex Bolt - M20 X 120 (Grooved Upper Barrel Clamp)
		-	87020001	Hex Bolt - M20 X 130 (Grooved Upper Barrel Clamp)
12	4	87078500		Lock Washer M20

⁽¹⁾ Item #8 is excluded from the assembly of item #3.

Hydraulic Tubes & Fittings

KEITH Mfg. fabricates many standard drive systems, included in this parts catalog, and also fabricates custom drive systems, too numerous to include, therefore KEITH requires the following information from your drive system to ensure we provide you with most accurate information. Please have the following information readily available before contacting KEITH for support:

- Model Number (Located on the Serial Plate of the drive unit)
- Serial Number (Located on the Serial Plate on the drive unit)
- Quantity & length of floor slats
- Vehicle make and unit installer

Service Information

- Use hydraulic oil or Vaseline to lubricate seals. Do NOT use grease.
- Do NOT use Teflon tape on any hydraulic components.
- Use the following chart for tightening tubes and fittings.

Sizes	Tubes	Swivel Nuts or Hoses
-6 JIC	2 FFWR	1-1/2 FFWR
-8 JIC	2 FFWR	1-1/2 FFWR
-12 JIC	1-1/2 FFWR	1-1/4 FFWR
-16 JIC	1-1/2 FFWR	1 FFWR
-12 ORFS	1/2 FFWR	1/2 FFWR
-16 ORFS	1/2 FFWR	1/2 FFWR

- FFWR (Flats From Wrench Resistance)
- JIC (Joint Industry Council, 37° flare seating surface)
- ORFS (O-Ring Face Seal)

Hydraulic Fittings

84691800
84691700
84691500



Elbow
16 Male JIC - 16 Male ORB
16 Male JIC - 12 Male ORB
12 Male JIC - 12 Male ORB

Long Elbow

12 Male JIC - 12 Male ORB



84690950

16 Male JIC - 16 Female JIC
12 Male JIC - 12 Female JIC
6 Male JIC - 6 Female JIC



84688700
84688600
84688570

Elbow

Sweep Elbow

12 Male JIC - 12 Female JIC
16 Male JIC - 16 Female JIC



84683100
84683200

84685400
84685000
84684000



Straight
16 Male JIC - 16 Male ORB
12 Male JIC - 12 Male ORB
6 Male JIC - 6 Male ORB

Long Straight
12 Male JIC - 12 Male ORB



84685010



84686100

Straight
12 Female JIC - 12 Male ORB

Straight
12 Male JIC - 12 Male JIC



84672700



84692260

Run Tee
12 Male JIC - 12 Male ORB - 12 Male JIC

Run Tee
12 Male JIC - 12 Female JIC - 12 Male JIC



84690300



84687900
84687700
84687400

Plug
16 Male JIC
12 Male JIC
6 Male JIC



84692060

Branch Tee
12 Male JIC - 12 Male JIC - 12 Male ORB

Branch Tee
12 Male JIC - 12 Male JIC - 12 Female JIC
6 Male JIC - 6 Male JIC - 6 Female JIC



84690800
84690700



84672000
84671900

Hollow Hex Plug
16 Male ORB
12 Male ORB

84691960
84691970
84691950



45° Elbow
16 Male JIC - 16 Male ORB
16 Male JIC - 12 Male ORB
12 Male JIC - 12 Male ORB

45° Elbow
16 Male JIC - 16 Female JIC
12 Male JIC - 12 Female JIC

84688460
84688450

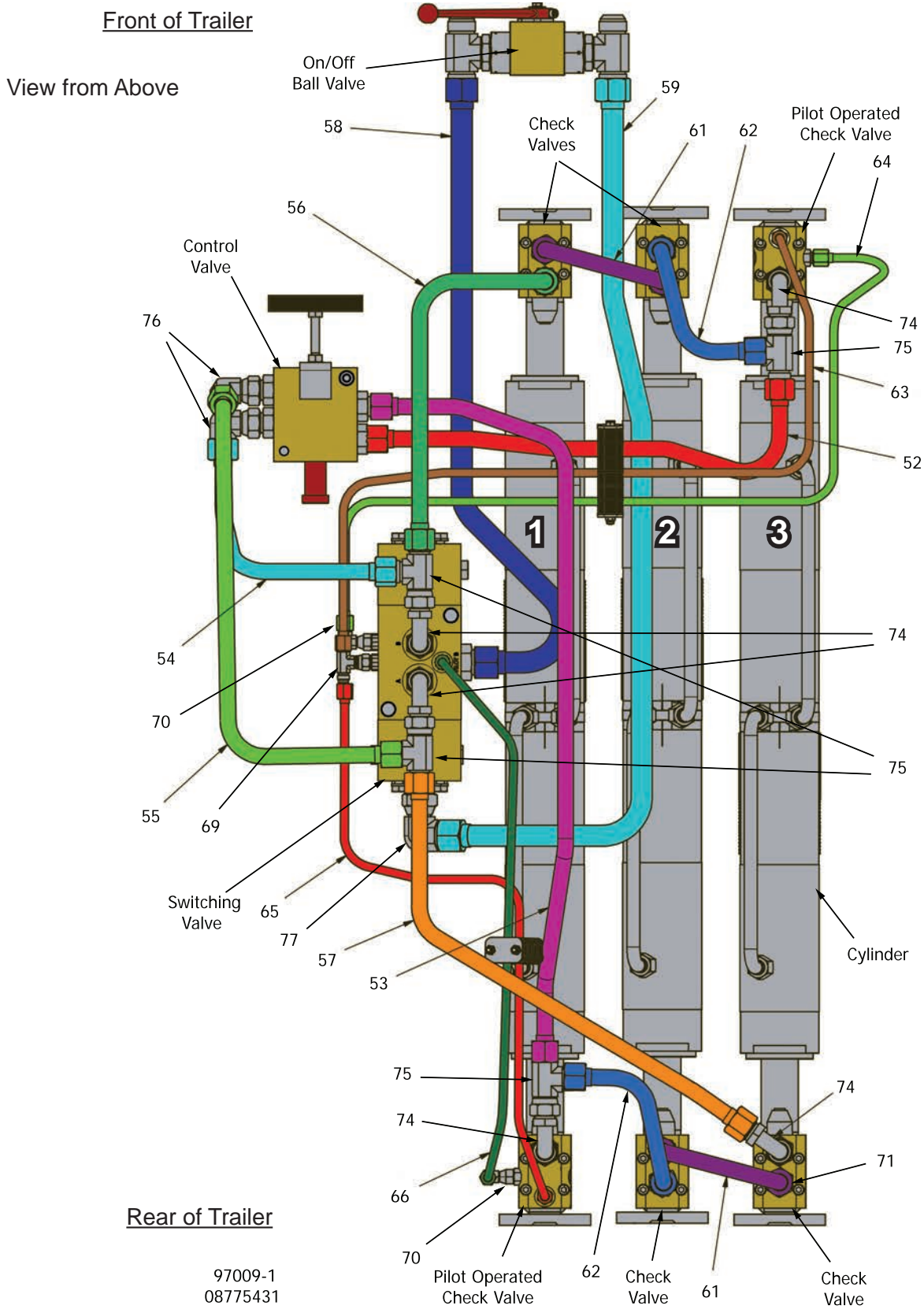


84683600
84683700

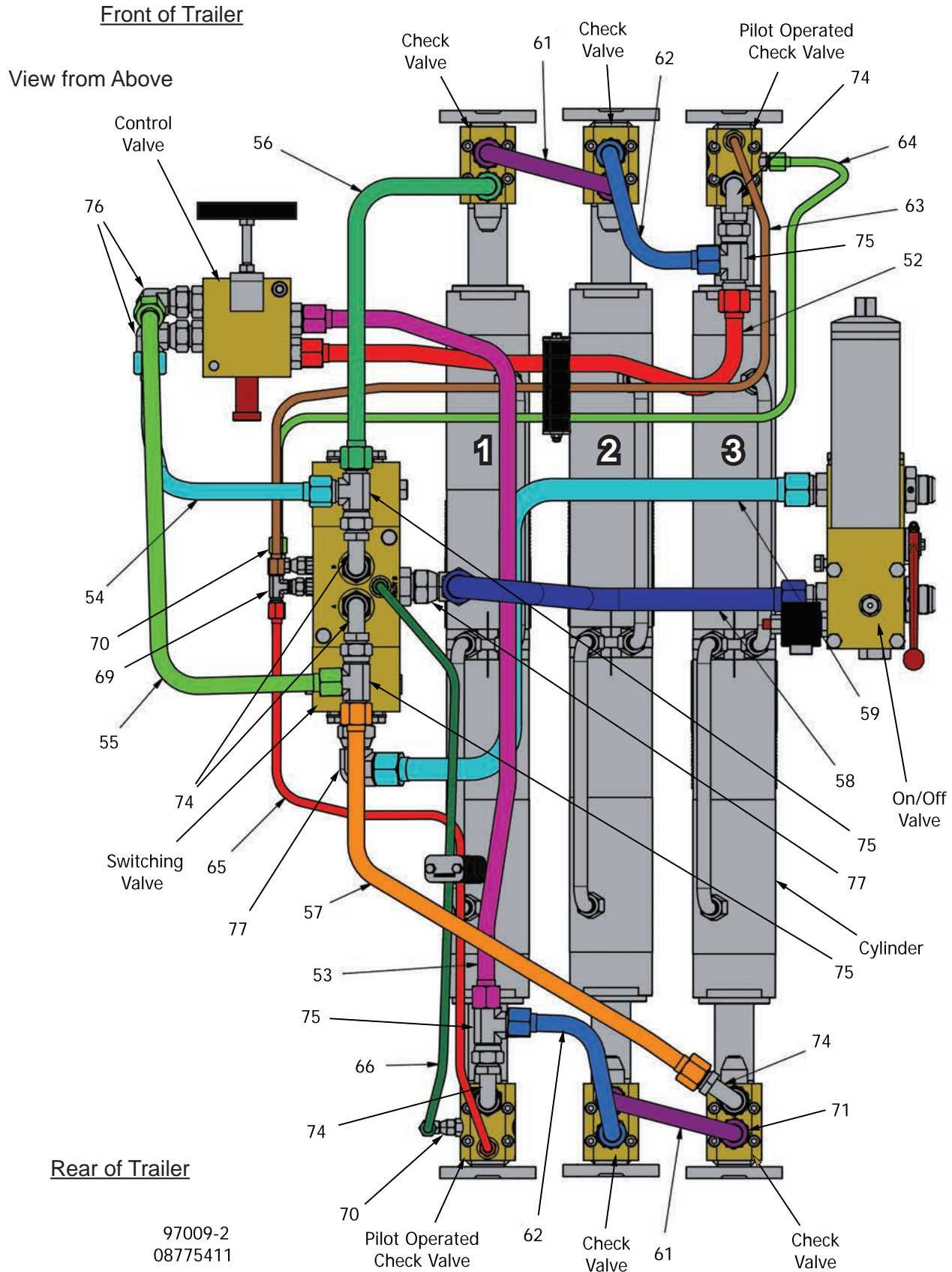
Long Sweep Elbow
12 Male JIC - 12 Female JIC
16 Male JIC - 16 Female JIC



Hydraulic Tubes & Fittings (Manual/Electric BV (SAE), Manual CV)



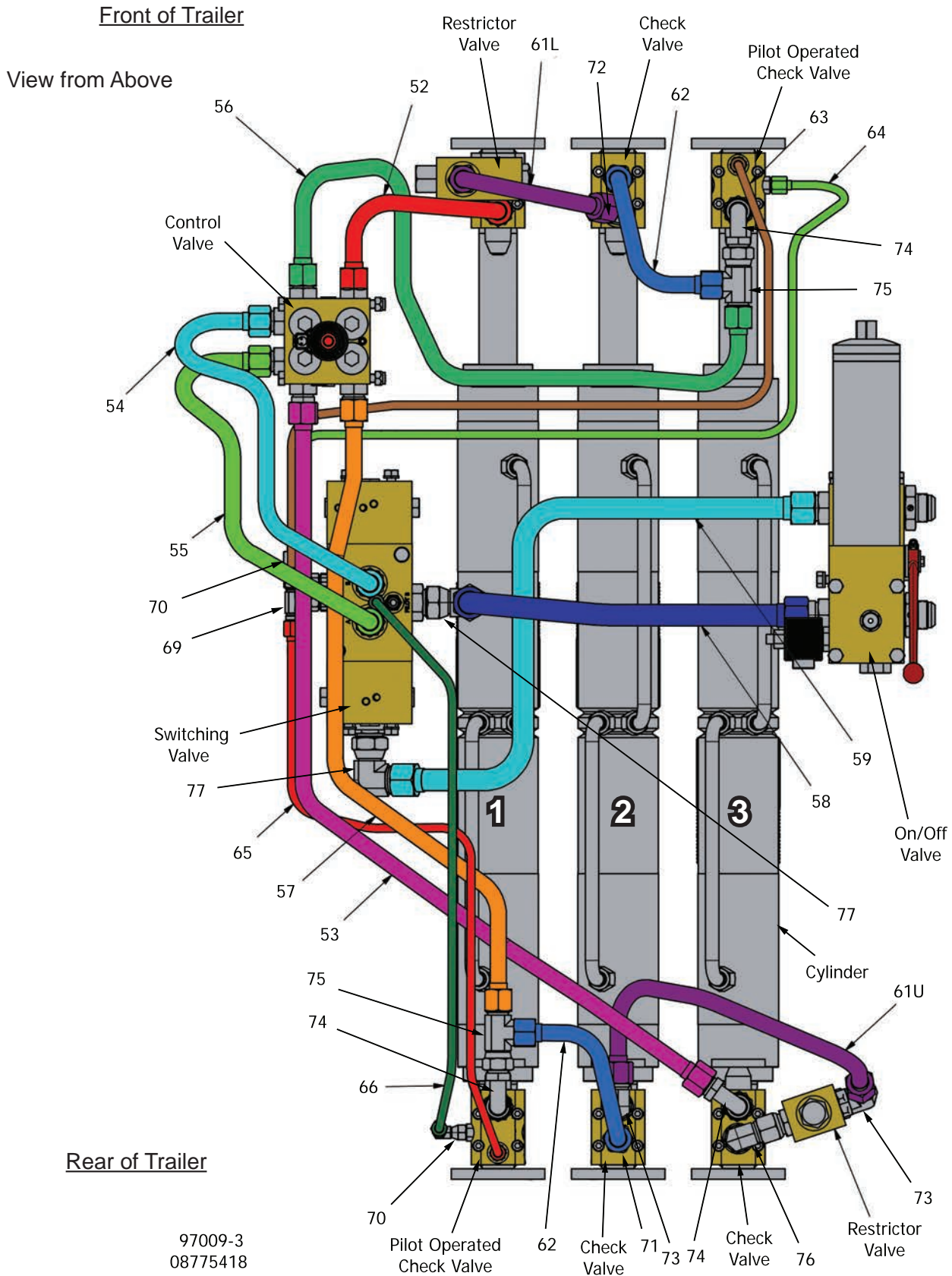
Hydraulic Tubes & Fittings (Manual/Electric BV, Inline Filter, Manual CV)



Rear of Trailer

97009-2
08775411

Hydraulic Tubes & Fittings (Manual/Electric BV, Inline Filter, Electric CV, Restrictors)

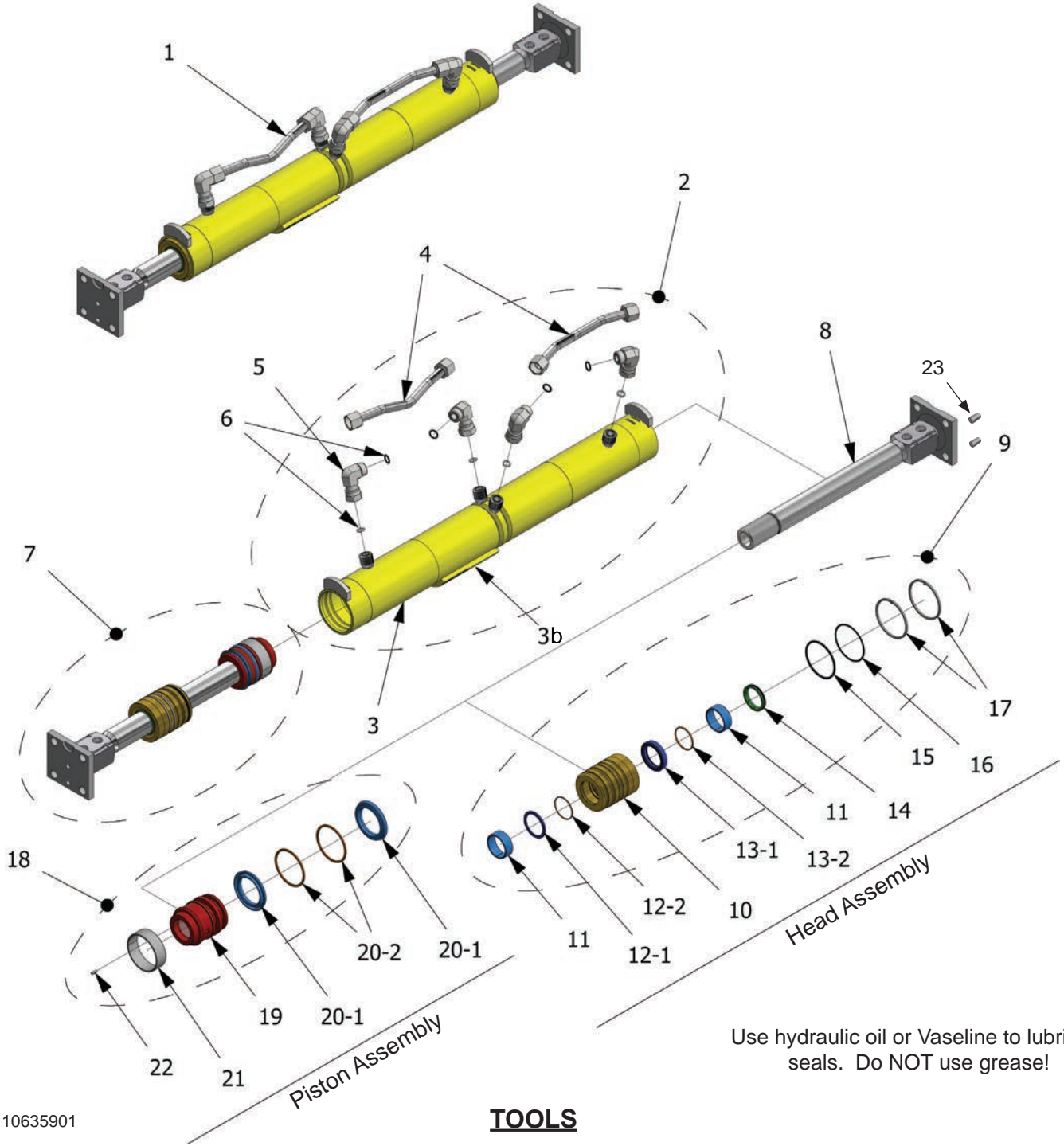


Hydraulic Tubes & Fittings

ID #	Qty	Manual BV(SAE)	Manual BV (SAE) w/Inline Filter	DXE Electric CV with Restrictors	Description
52	1	06942401		07250401	#52 Tube
53	1	09029901		07250501	#53 Tube
54	1	09013201		08775901	#54 Tube
55	1	09013301		08776001	#55 Tube
56	1	09013001		07250801	#56 Tube
57	1	09013101		08776201	#57 Tube
58	1	09013401	08776301		#58 Tube
59	1	09013501	08776401		#59 Tube
61	2	06942901		-	#61 Tube
61L	1	-	-	07251101	#61L Tube
61U	1	-	-	07251201	#61U Tube
62	2		06943001		#62 Tube
63	1		08776501		#63 Tube
64	1		08776601		#64 Tube
65	1		08776701		#65 Tube
66	1		08776801		#66 Tube
69	1		84690700		06 S6X-S Swivel Branch Tee MJIC X MJIC X FJIC
70	2		84688570		06 C6X-S Swivel Elbow MJIC X FJIC
71	8,8,6		84685000		12 F5OX-S Straight Thread Connector MJIC X M O-Ring
72	1		-	84691950	12 V5OX-S Straight Thread Elbow MJIC X 45 ADJ O-Ring
73	2		-	84691500	12 C5OX-S Straight Thread Elbow MJIC X ADJ
74	5,5,3		84683100		12 39T3-S Swept Elbow MJIC X 90 FJIC
75	4,4,2		84690300		12 R6X-S Swivel Run Tee MJIC X FJIC X MJIC
76	2,2,1		84688600		12 C6X-S Swivel Elbow MJIC X FJIC
77	1,2,2,		84688700		16 C6X-S Swivel Elbow MJIC X FJIC
79	2		-	03348708	Valve Restrictor Assy R2

Cylinder Assembly - ORFS (Jan 2020 - Present)

Drive serial number must be provided to determine actual part numbers.



Use hydraulic oil or Vaseline to lubricate seals. Do NOT use grease!

TOOLS

10635901



Barrel Pass Ring for removing piston from barrel



Piston Wrench



Rod Nose Cone for head installation



Head Spanner Wrench

Cylinder Assembly - ORFS (Jan 2020 - Present)

ID#	Qty	80mm Part #	90mm Part #	Description
1	-	10635901	10636001	Cylinder Assembly (Includes items 2-23)
2	(1)	10635701	10635801	Barrel Assembly (Includes items 3-6)
3	1	10652403	10652103	Barrel Weld Assembly
3b	1	04763501	04760801	Threaded Pad
4	2	10636101		Cylinder Cross Over Tube
5	4	84694048		10 C6LO-S 10-10 S MORFS X FORFS Swivel 90 EL - Face Seal
6	8	84375272		O-RING 016 N1490-90 #10 FACE SEAL NITRILE
7	(2)	04763701	04760601	Rod w/Piston & Head Assemblies (Includes items 8-22)
8	1	04761001		Rod 45mm w/Block & Plate
9	(1)	04576701	04412601	Head Assembly (Includes items 10-17)
10	1	06895901	06896001	Head
11	1	84401105		Wear Ring, Cyl Rod, 45mm (Gray)
	1	84401205		Wear Ring, Cyl Rod, 45mm, PTFE (Blue)
12-1	1	84400201		Seal, Buffer 45mm
12-2	1	w/seal		Backup Ring, 45mm
13-1	1	84354200		Rod Seal, R2 Cylinder 45mm
13-2	1	w/seal		Back Up Ring, Rod Seal 45mm
14	1	84426605		Wiper, Rod, 45mm
15	1	84384400	84384600	O-Ring Buna 90 (233, 236)
16	1	84392600	84392800	Back-Up Buna 90 (233, 236)
17	2	03812109	03812108	Wire Lock Cylinder Head, Rd
18	(1)	04576401	04412501	Piston Assembly (Includes items 19-22)
19	1	04369801	04402901	Piston Steel
20-1	1	84350800	84354800	Seal Cylinder Piston
20-2	1	w/seal	w/seal	Seal Back-Up Piston Cylinder
21	1	84401050	84402601	Wear Ring Piston 1" Wide
22	1	86650400		Pin Drive Lock 3/16" X 1/2"
23	4	86654310		Alignment Locating Dowel Pin 10 mm x 20 mm
-(1)	1	06999801	06544601	Cylinder Seal Kit (Includes items 11-17 & 20-22)
TOOLS				
-	-	06504301		Head Spanner Wrench - for Round Hole Style Head (post 2009)
-	-	06858401		Rod Nose Cone 45 mm LP
-	-	06801601	10453701	Piston Wrench

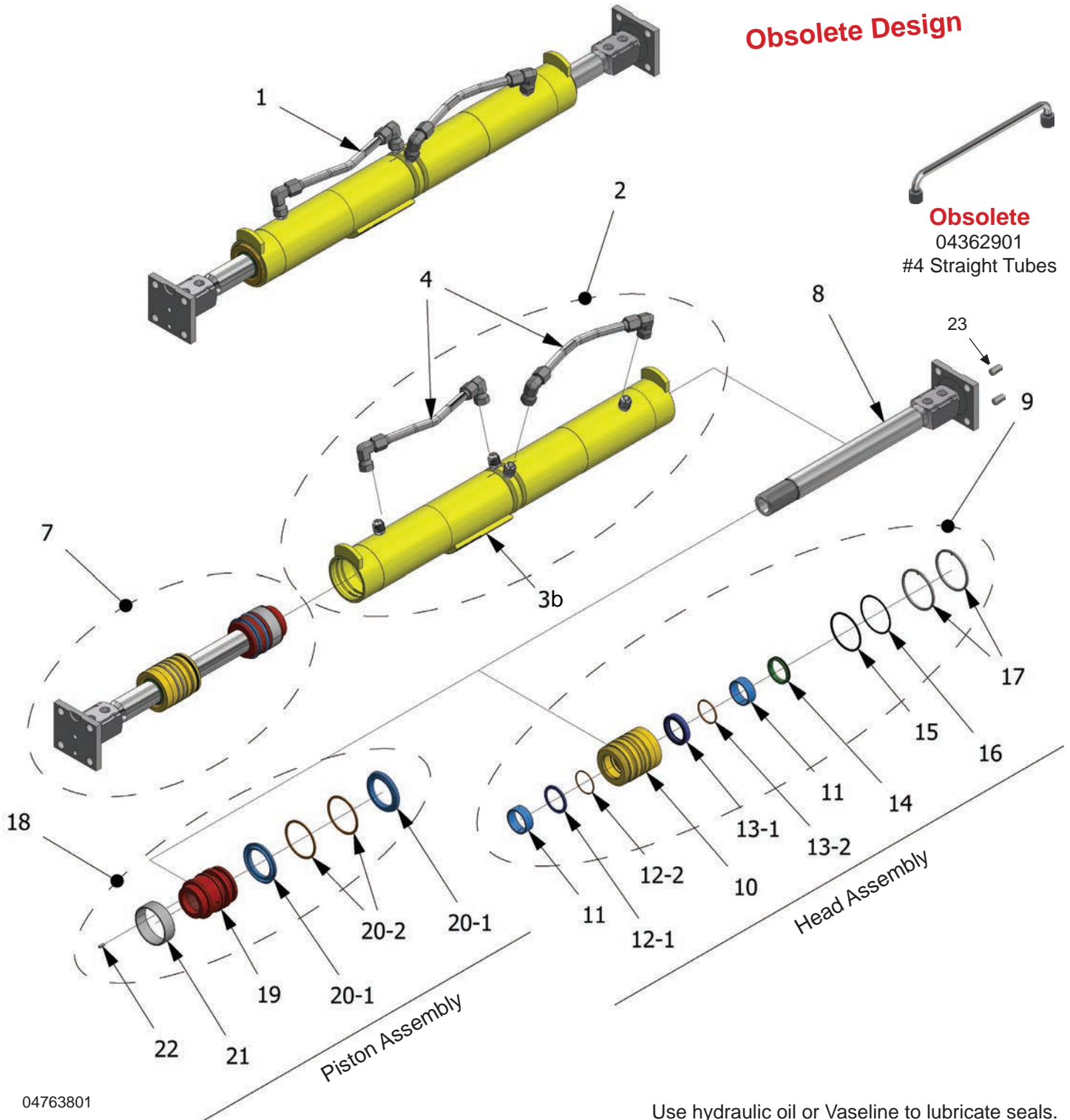
(1) Seal kit includes all necessary items required to rebuild the entire cylinder. It does not include items such as the Barrel, Tubes & Fittings, Rod, Head or Piston.

* As of date on serial number.

Cylinder Assembly - JIC (Pre - Jan. 2020)

Drive serial number must be provided to determine actual part numbers.

Obsolete Design



04763801

Use hydraulic oil or Vaseline to lubricate seals.
Do NOT use grease!
Do NOT use Teflon tape!

Cylinder Assembly - JIC (Pre - Jan 2020)

ID#	Qty	80mm Part #	90mm Part #	Description
1	-	04763801	04760501	Cylinder Assembly (Includes items 2-23)
2	(1)	04763601	04761101	Barrel Assembly (Includes items 3-4)
3b	1	04763501	04760801	Threaded Pad
4	2	09806801		Cross Over Tube Assembly - Wave Style
7	(2)	04763701	04760601	Rod w/Piston & Head Assembly (Includes items 8-22)
8	1	04761001		Rod 45mm w/Block & Plate
9	(1)	04576701	04412601	Head Assembly (Includes items 10-17)
10	1	06895901	06896001	Head
11 ⁽²⁾	2	84401205		Wear Ring, Cyl Rod, 45mm, PTFE (Blue)
12-1	1	84400201		Seal, Buffer 45mm
12-2	1	w/seal		Backup Ring, 45mm
13-1	1	84354200		Rod Seal, R2 Cylinder 45mm
13-2	1	w/seal		Back Up Ring, Rod Seal 45mm
14	1	84426605		Wiper, Rod, 45mm
15	1	84384400	84384600	O-Ring Buna 90 (233, 236)
16	1	84392600	84392800	Back-Up Buna 90 (233, 236)
17	2	03812109	03812108	Wire Lock Cylinder Head, Rd
18	(1)	04576401	04412501	Piston Assembly (Includes items 19-22)
19	1	04369801	04402901	Piston Steel
20-1	2	84350800	84354800	Seal Cylinder Piston
20-2	2	w/seal	w/seal	Seal Back-Up Piston Cylinder
21	1	84401050	84402601	Wear Ring Piston 1" Wide
22	1	86650400		Pin Drive Lock 3/16" X 1/2"
23	4	86654310		Alignment Locating Dowel Pin 10 mm x 20 mm
-⁽¹⁾	1	06999801	06544601	Cylinder Seal Kit (Includes items 11-17 & 20-22)

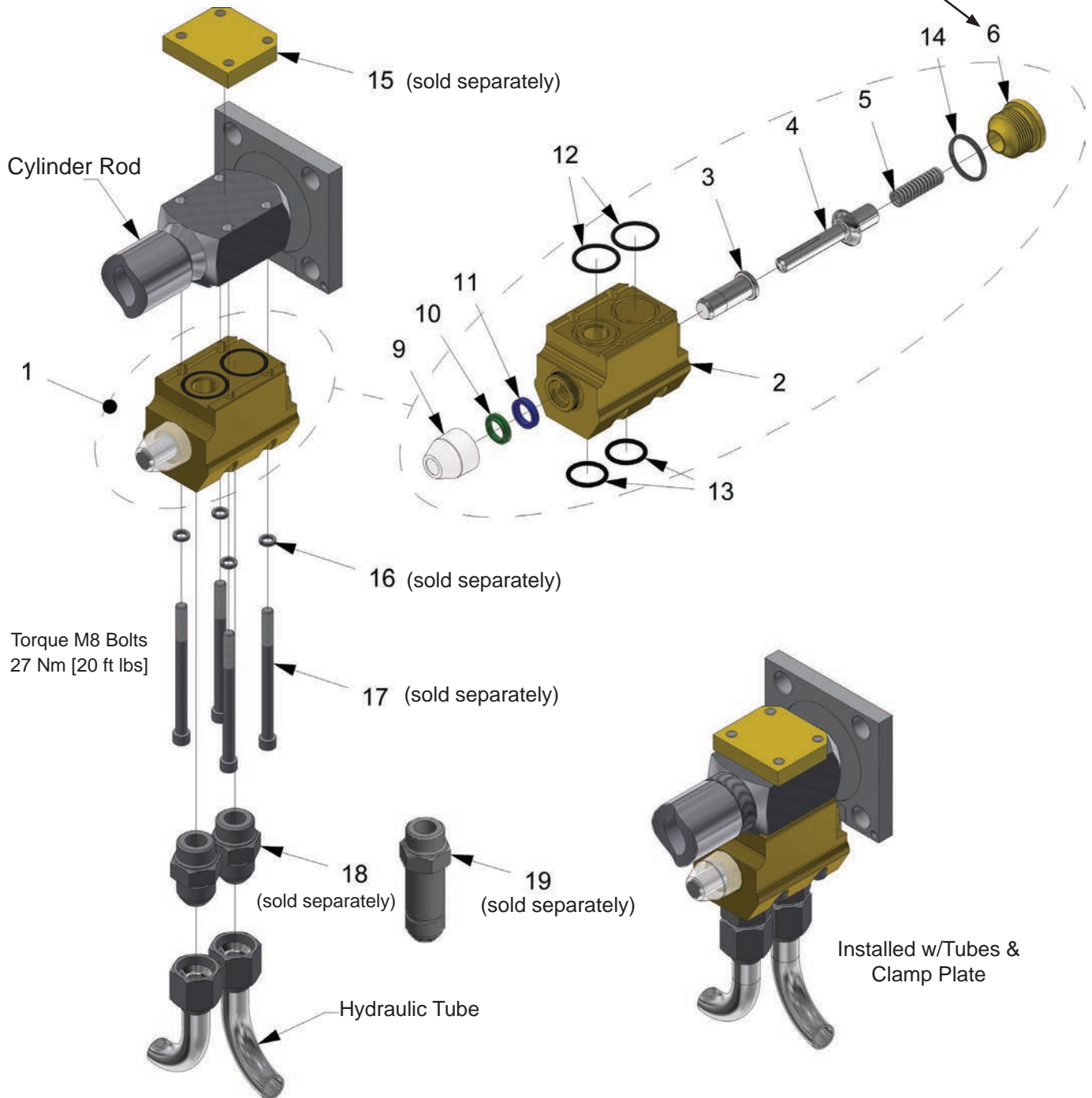
⁽¹⁾ Seal kit includes all necessary items required to rebuild the entire cylinder. It does not include items such as the Barrel, Tubes & Fittings, Rod, Head or Piston.

⁽²⁾ Previous versions of the piston used (1) blue wear ring 84401205 and (1) gray wear ring 84401105 which has now been replaced with a second blue wear ring.

* As of date on serial number.

Check Valve Assembly

(Requires Anti-Seize LB8060)
 Torque 163 Nm [120 ft lbs]
 Special Tool #08248301



Use hydraulic oil or Vaseline to lubricate seals.
 Do NOT use grease!
 Do NOT use Teflon tape!

Check Valve Assembly

ID#	Qty	Part #	Description
1	-	06520103	Check Valve Assembly (Includes items 2-6, 9-14)
2	1	06602901	Body Check Valve External
3	1	01771101	Plunger Check Valve External
4	1	01766901	Rod Check Valve External
5	1	84453400	Spring Check Valve External Large #B-18273
6	1	03654501	End Cap Check Valve External Threaded (Special Tool #08248201)
-	-	03878101	Seal Kit Check Valve & Adapter Block (Includes Items 9-14)
9	1	06613801	Dust Boot Check Valve External
10	1	84426800	Plunger Wiper Check Valve External
11	1	84352200	Seal Rod 5/8" Check Valve External
12	2	84377800	O-Ring 122 Buna 90
13	2	84387400	O-Ring 912 Buna 90
14	1	84387800	O-Ring 916 Buna 90

Check Valve Related Components

ID#	Qty	Metric Part #	Description
15	1	02513002	Top Clamp Check Valve External (Metric)
16	4	86553001	Washer High Collar Lock 5/16"
17	4	87007493	Bolt Socket Head M8 x 110mm
18	2	84685000	Straight Threaded Connector W/O-Ring 912
19	1	84685010	Long St. Threaded Connector W/O-Ring 912

Tools

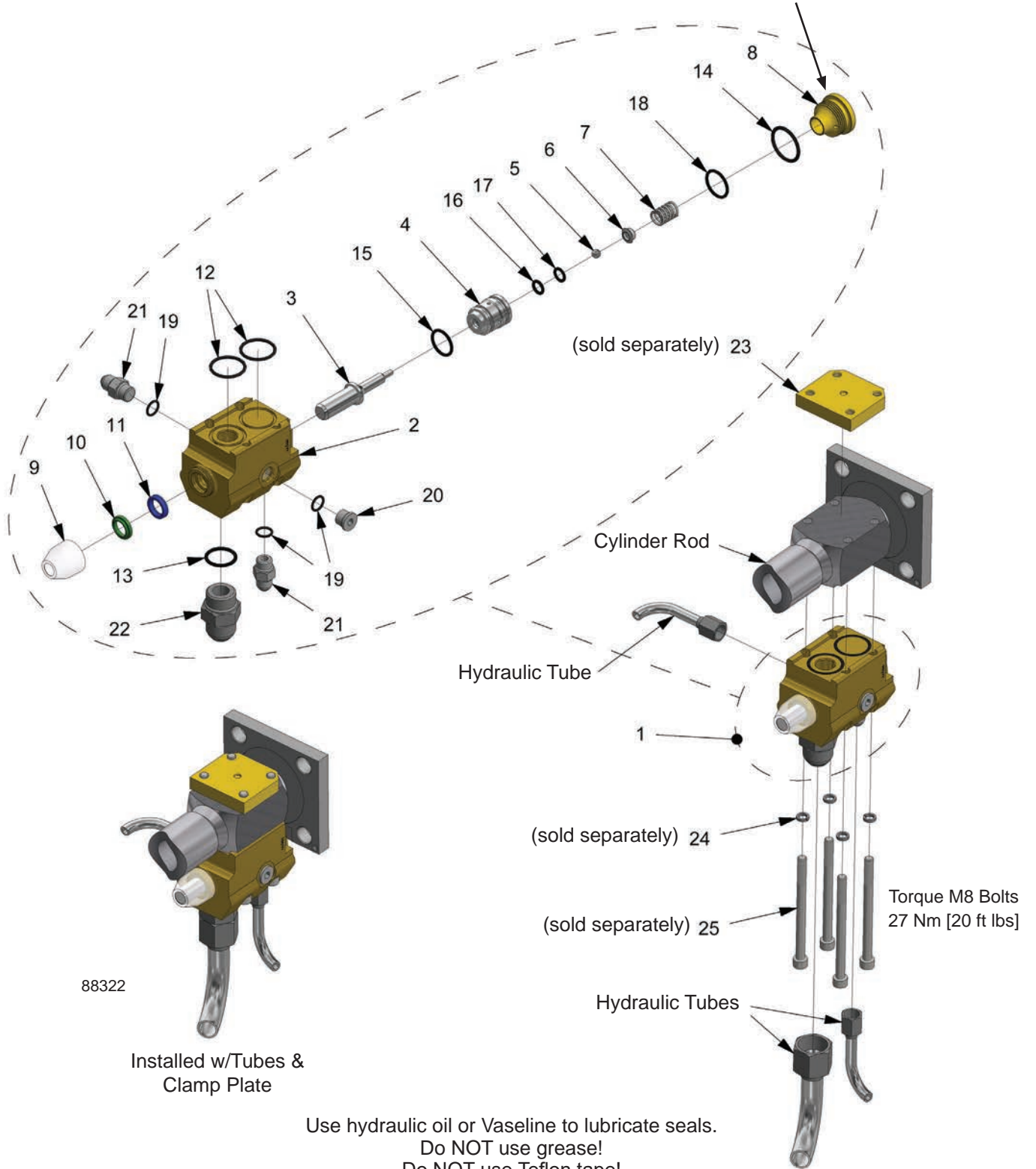
ID#	Qty	Part #	Description
-	-	08248301	Check Valve 4 Prong Raised End Cap Tool (Nov '13 - Present)



4 Prong Raised Cap

Check Valve Assembly - Pilot-Operated DX

(Requires Anti-Seize LB8060)
 Torque 163 Nm [120 ft lbs]
 Special Tool #08248301



88322

Installed w/Tubes & Clamp Plate

Use hydraulic oil or Vaseline to lubricate seals.
 Do NOT use grease!
 Do NOT use Teflon tape!

Check Valve Assembly - Pilot-Operated DX

ID#	Qty	Part #	Description
1	-	06935001	Assembly, Pilot-Operated Check Valve, DX (Includes items 2-22)
2	1	06935101	Check Valve Body Pilot Threaded Cap DXR2
3	1	04199601	Plunger w/Actuator
4	1	04199501	Valve Seat Pilot Operated Ext CKV
5	1	84800500	Ball 5/16" Chrome ST
6	1	05269901	Spring Follower Pilot Operated CKV BK
7	1	84457100	Spring 71793 (was 84451200)
8	1	04279301	End Cap Threaded Ext Pilot to SV Signal CKV
-	-	09678501	Seal Kit Pilot-Operated Check Valve (Includes items 12-22)
9	1	06613801	Dust Boot External CKV
10	1	84426800	Rod Wiper 5/8" Ext CKV
11	1	84352200	Rod Seal 5/8" 7/8X5/8X3/16
12	2	84377800	122 O-Ring Buna 90
13	1	84387400	912 O-Ring Buna 90
14	1	84387800	916 O-Ring Buna 90 N1490-90
15	1	84377300	118 O-Ring Buna 90
16	1	84376000	110 O-Ring Buna 90
17	1	84388890	110 O-Ring Backup Buna 90
18	1	84377400	119 O-Ring Buna 90
19	3	84386800	906 O-Ring Buna 90
20	1	84687400	06 HP5ON-S Hollow Hex Plug M O-Ring Hex Socket (6408-H06-O)
21	2	84684000	6 F5OX-S Straight Thread Cconnector MJIC X M O-Ring (6400-06-06)
22	1	84685000	12 F5OX-S Straight Thread Cconnector MJIC X M O-Ring (6400-12-12)

Check Valve Related Components

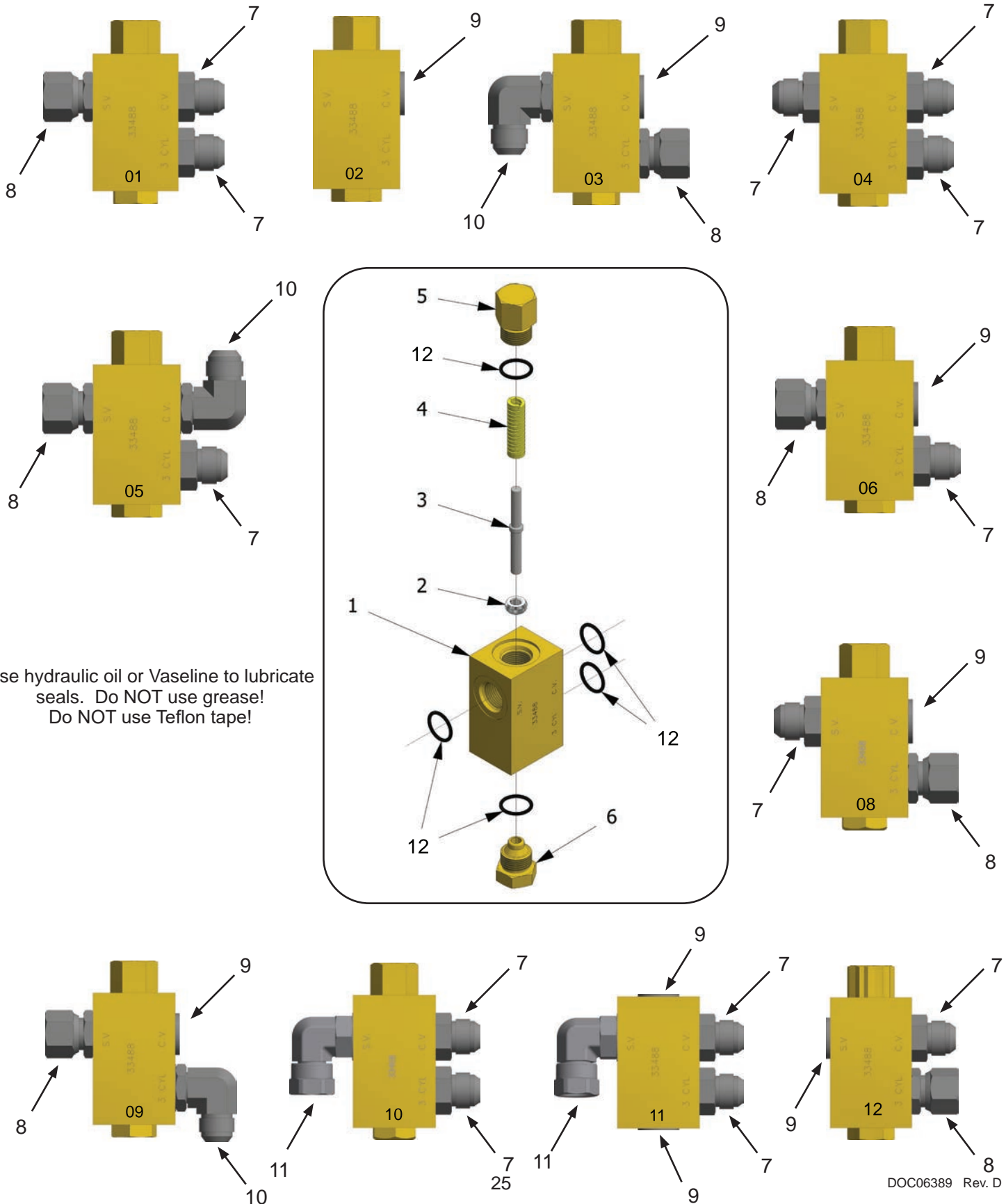
ID#	Qty	Metric Part #	Description
23	1	02513002	Top Clamp Check Valve External (Metric)
24	4	86553001	Washer High Collar Lock 5/16"
25	4	87007493	Bolt Socket Head M8 x 110mm

Tools

ID#	Qty	Part #	Description
-	-	08248301	Check Valve 4 Prong Raised End Cap Tool (Nov '13 - Present)



One-Way Restrictor Valve Assembly



Use hydraulic oil or Vaseline to lubricate seals. Do NOT use grease!
Do NOT use Teflon tape!

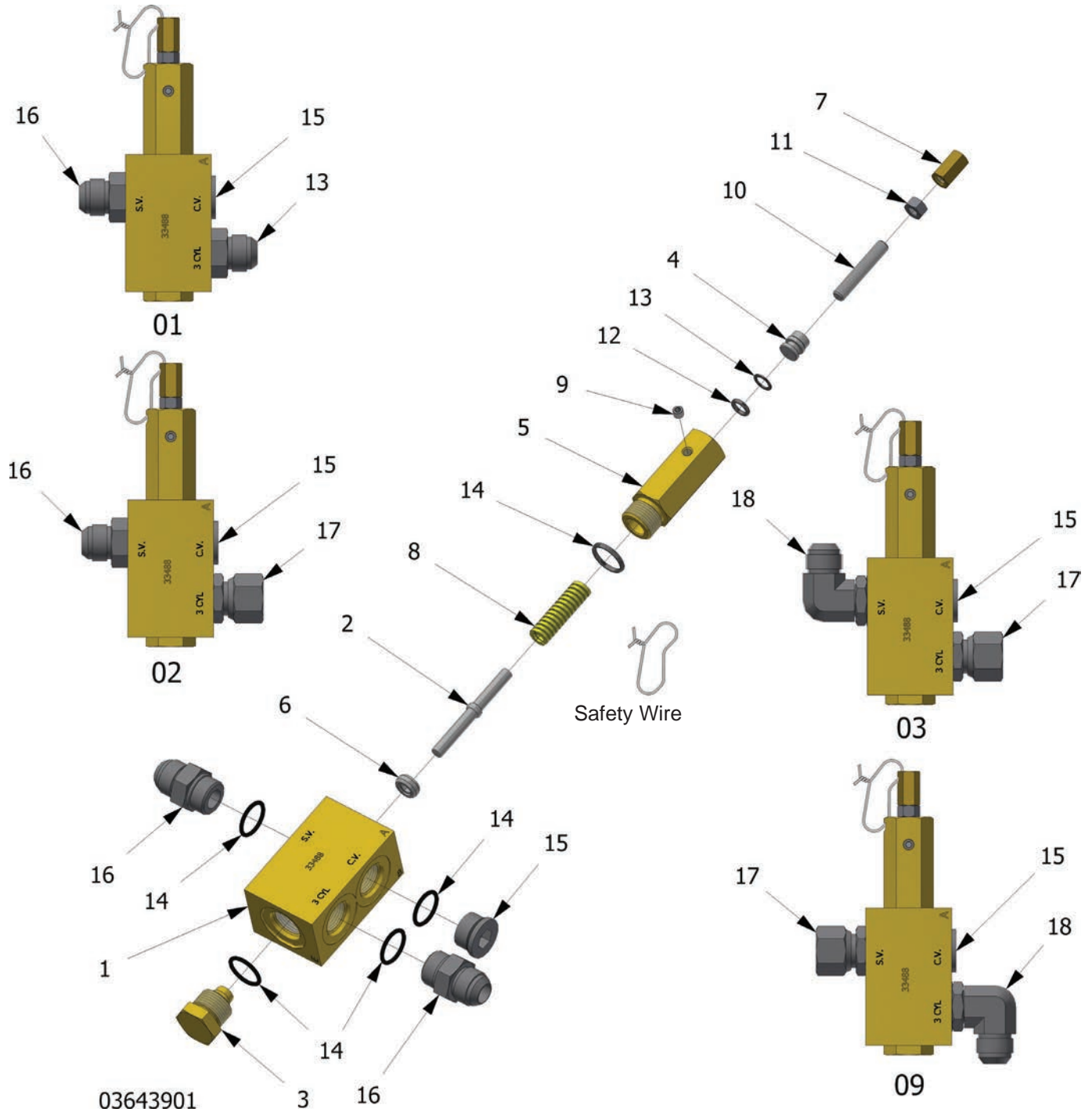
Restrictor Valve Assembly														
ID#	Quantities												Part #	Description
	01	02	03	04	05	06	08	09	10	11	12	12		
-	01	02	03	04	05	06	08	09	10	11	12	12	033487xx One-Way Restrictor Valve Assembly (Includes all items listed below)	
1	1	1	1	1	1	1	1	1	1	1	1	1	Restrictor Valve Body KRFII	
2	1	1	1	1	1	1	1	1	1	-	1	01951901	Collar Restrictor Internal CKV KRFII/WFII 80&90MM Manifold	
3	1	1	1	1	1	1	1	1	1	-	1	03348901	Restrictor Rod for One-Way Restrictor KRFII	
4	1	1	1	1	1	1	1	1	1	-	1	84455400	Spring 9-1010-36 .625 X 2.5 Yellow Extra Heavy Load	
5	1	1	1	1	1	1	1	1	1	-	1	03349001	Spring End Cap LG for One-Way Restrictor Rod KRFII	
6	1	1	1	1	1	1	1	1	1	-	1	03349101	End Cap Restrictor Valve KRFII	
7	2	-	-	3	1	1	1	-	2	2	1	84685000	12 F5OX-S Straight Thread Connector MJIC X M O-Ring (6400-12-12)	
8	1	-	1	-	1	1	1	1	-	-	1	84686100	12 F65OX-S Straight Thread M O-Ring X FJIC (6402-12-12-O)	
9	-	1	1	-	-	1	1	1	-	2	1	84687700	12 HP5ON-S Hollow Hex Plug M O-Ring Hex Socket (6408-H12-O)	
10	-	-	1	-	1	-	-	1	-	-	-	84691500	12 C5OX-S Straight Thread Elbow MJIC X ADJ O-Ring (6801-12-12)	
11	-	-	-	-	-	-	-	-	1	1	-	84692990	12 AOEX6-S Swivel Elbow (6809-12-12-NOW)	
12	5	3	5	5	5	5	5	5	5	5	5	84387400	O-Ring 912 Buna 90	
-	-	-	-	-	-	-	-	-	-	-	-	06832201	Restrictor Valve Seal Kit for (Includes item 12)	

Adjustable Restrictor Valve Assembly

Oil flow from port 3 CYL to port C.V. or port S.V. is restricted.

Oil flow from port S.V. to port C.V. or port 3 CYL is free flow.

Oil flow from port C.V. to port S.V. or port 3 CYL is free flow.



Use hydraulic oil or Vaseline to lubricate seals.
Do NOT use grease!
Do NOT use Teflon tape!

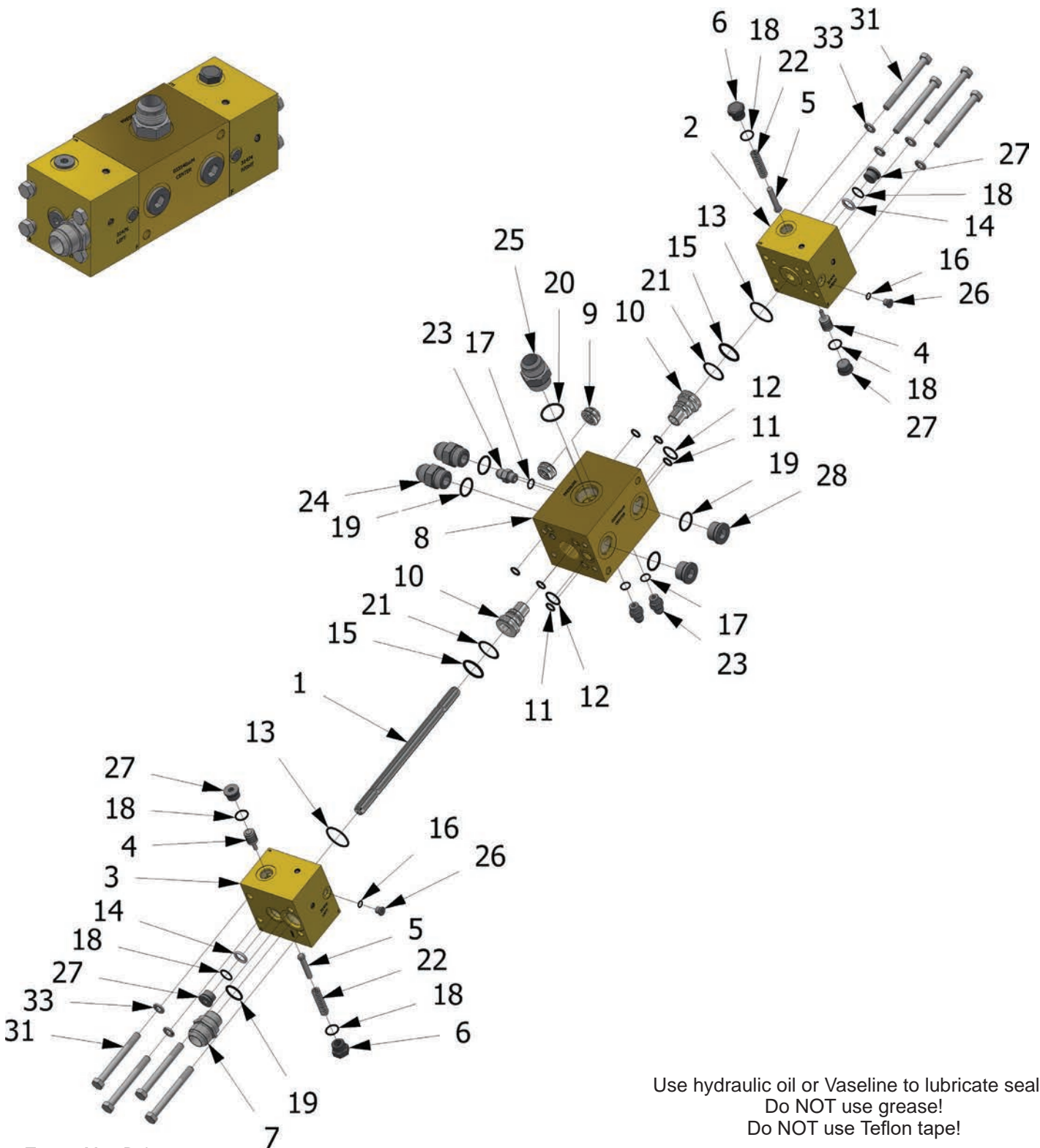
Adjustable Restrictor Valve Assembly

ID#	Qty	Qty	Qty	Qty	Part #	Description
-	01	02	03	09	036439xx	Adjustable Restrictor Valve Assembly (Includes all items below)
1	1	1	1	1	03348801	RESTRICTOR VALVE BODY
2	1	1	1	1	03348901	RESTRICTOR GUIDE ROD
3	1	1	1	1	03349101	END CAP, RESTRICTOR ROD GUIDE
4	1	1	1	1	03434701	SPRING PLUNGER
5	1	1	1	1	03434801	SPRING CAP FOR ADJUSTMENT SCREW
6	1	1	1	1	03436901	RESTRICTOR SPOOL
7	1	1	1	1	03437601	NUT COVER BK KRFII FOR RESTRICTOR VALVE
8	1	1	1	1	84455400	DIE SPRING, RECT WIRE, YELLOW, DANLEY 9-1010-36
9	1	1	1	1	84680770	1/16 HHP-S PIPE PLUG SOCKET 1/16", 7/8" TAPER
10	1	1	1	1	86440500	HEX SOCKET SET SCREW, 3/8-16 X 2 1/4
11	1	1	1	1	86628100	JAM NUT HEX GR8 ZN 3/8-16
12	1	1	1	1	84376200	111 O-RING BUNA 90
13	1	1	1	1	84389000	111 BACK-UP RING BUNA
14	5	5	5	5	84387400	912 O-RING BUNA 90
15	1	1	1	1	84687700	12 HP5ON-S HOLLOW HEX PLUG M O-RING
16	2	1	-	-	84685000	12 F5OX-S STRAIGHT THREAD CONNECTOR MJIC X M O-Ring
17	-	1	1	1	84686100	12 F65OX-S STRAIGHT THREAD M O-RING X FJIC
18	-	-	1	1	84691500	12 C5OX-S STRAIGHT THREAD ELBOW MJIC X ADJ

Restrictor Adjustment Instructions

1. Remove the safety wire that is through the holes in the #5 spring cap and the #7 cover nut.
2. Remove the #7 cover nut.
3. Loosen the #11 jam nut.
4. Remove the #9 pipe plug.
5. Install pressure gauges at inlet port 3 CYL and outlet port S.V or port C.V.
6. Adjust the pressure drop when oil is flowing from port 3 CYL to port S.V.
7. Turn the set screw clockwise to increase the pressure drop, turn the set screw counterclockwise to decrease the pressure drop.
8. Lock the #11 jam nut after adjusting and re-install the #9 pipe plug.
9. Re-install the #7 cover nut.
10. Replace the safety wire.

Switching Valve Assembly - Pilot-Operated



Torque M10 Bolts
61 Nm [45 ft lbs]

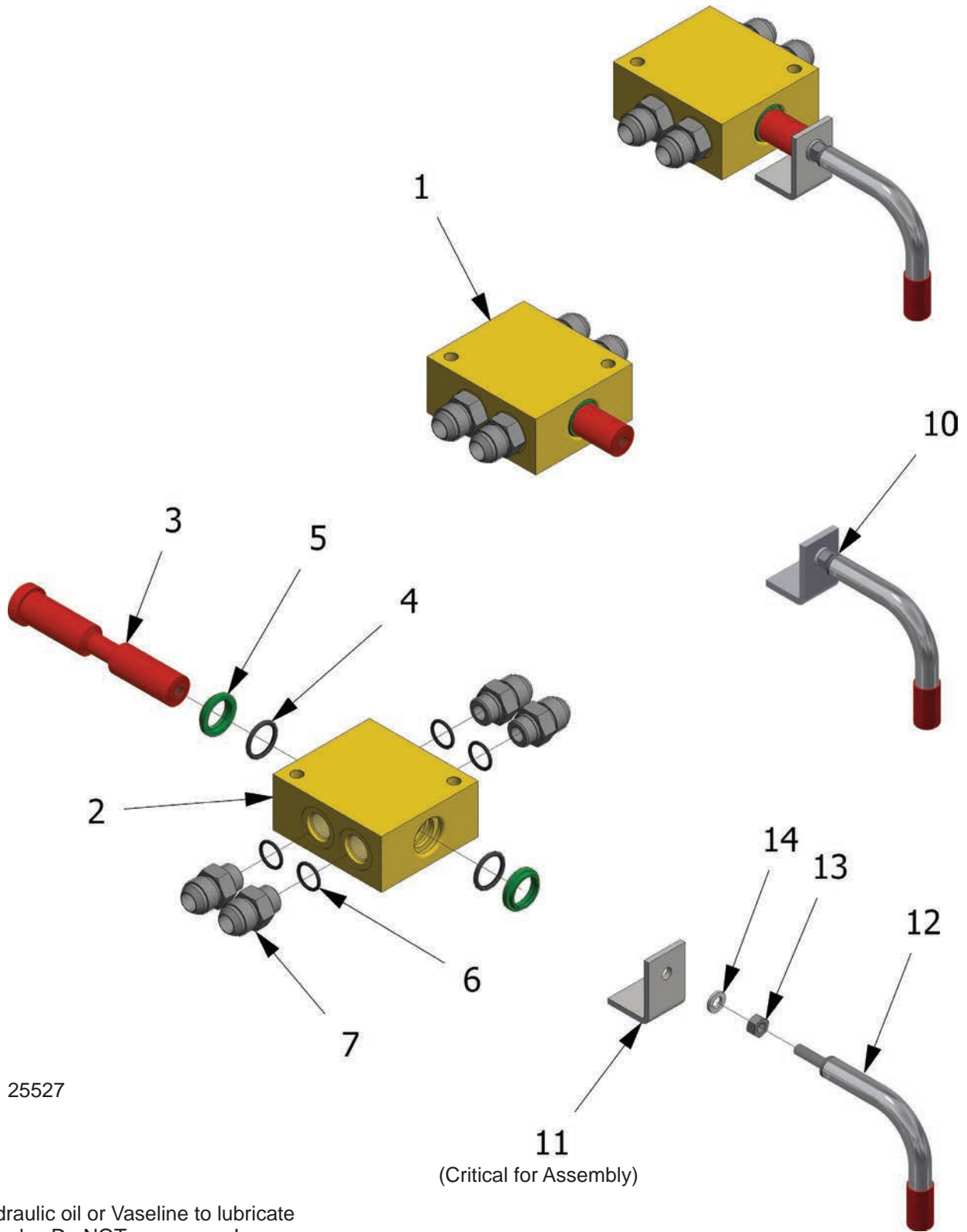
08828501

Use hydraulic oil or Vaseline to lubricate seals.
Do NOT use grease!
Do NOT use Teflon tape!

Switching Valve Assembly - Pilot-Operated

ID#	Qty	Part #	Description
-	-	08828501	Switching Valve Square Body, Pilot-Operated, Metric (Includes Items 1-33)
1	1	01335502	Poppet Switching Valve Rod Assy-Metric
2	1	03147401	Right End Cap. Pilot OP. S.V.
3	1	03147501	End Cap Left, Square Body P. Op. Switching Valve
4	2	03147901	Plunger for, Switching Valve
5	2	03319801	Pilot Check Valve
6	2	03321601	-8 End Cap 3408-8 mod for Pilot O.P.S.V.
7	1	03341001	6400-16-12 Straight (Modified)
8	1	03354003	Body, Pilot OP. S.V. Metric (BSPP)(External)
9	2	03718801	Poppet Valve, Center
10	2	03718901	Poppet Valve w/ Actuator Piston
11	6	84376200	111 O-Ring Buna 90
12	2	84377000	117 O-Ring Buna 90 (Post July 2020)
		84380200	210 O-Ring Buna 90 (Pre July 2020)
13	2	84378200	126 O-Ring Buna 90
14	2	84379800	208 O-Ring Urethane
15	2	84382200	216 O-Ring Buna 90
16	2	84386599	903 O-Ring Buna 90
17	3	84386800	906 O-Ring Buna 90
18	6	84387000	908 O-Ring Buna 90
19	5	84387400	912 O-ring Buna 90
20	1	84387800	916 O-Ring Buna 90
21	2	84391600	216 Back-up Buna 90
22	2	84453400	Ext. Check Valve Spring Large
23	3	84684000	06 F5OX-S Straight Thread Connector MJIC X M
24	2	84685000	12 F5OX-S Straight Thread Connector MJIC X M O-Ring
25	1	84685400	16 F5OX-S Straight Thread Connector MJIC X M O-Ring
26	2	84687250	03 HP5ON-S Hollow Hex Plug M O-RING
27	4	84687500	08 HP5ON-S Hollow Hex Plug M O-RING
28	2	84687700	12 HP5ON-S Hollow Hex Plug M O-RING
31	8	87011000	Hex Bolt - M10 x 1.5 x 100Steel, Mild
33	8	87076500	WASHER LOCK 10MM
-	-	10758201	Seal Kit, Pilot Operated Switching Valve (Includes items 11-21)

Control Valve (Load/Unload) Assembly - Manual & Handle Assembly (Sold Separately)



25527

Use hydraulic oil or Vaseline to lubricate seals. Do NOT use grease!
Do NOT use Teflon tape!

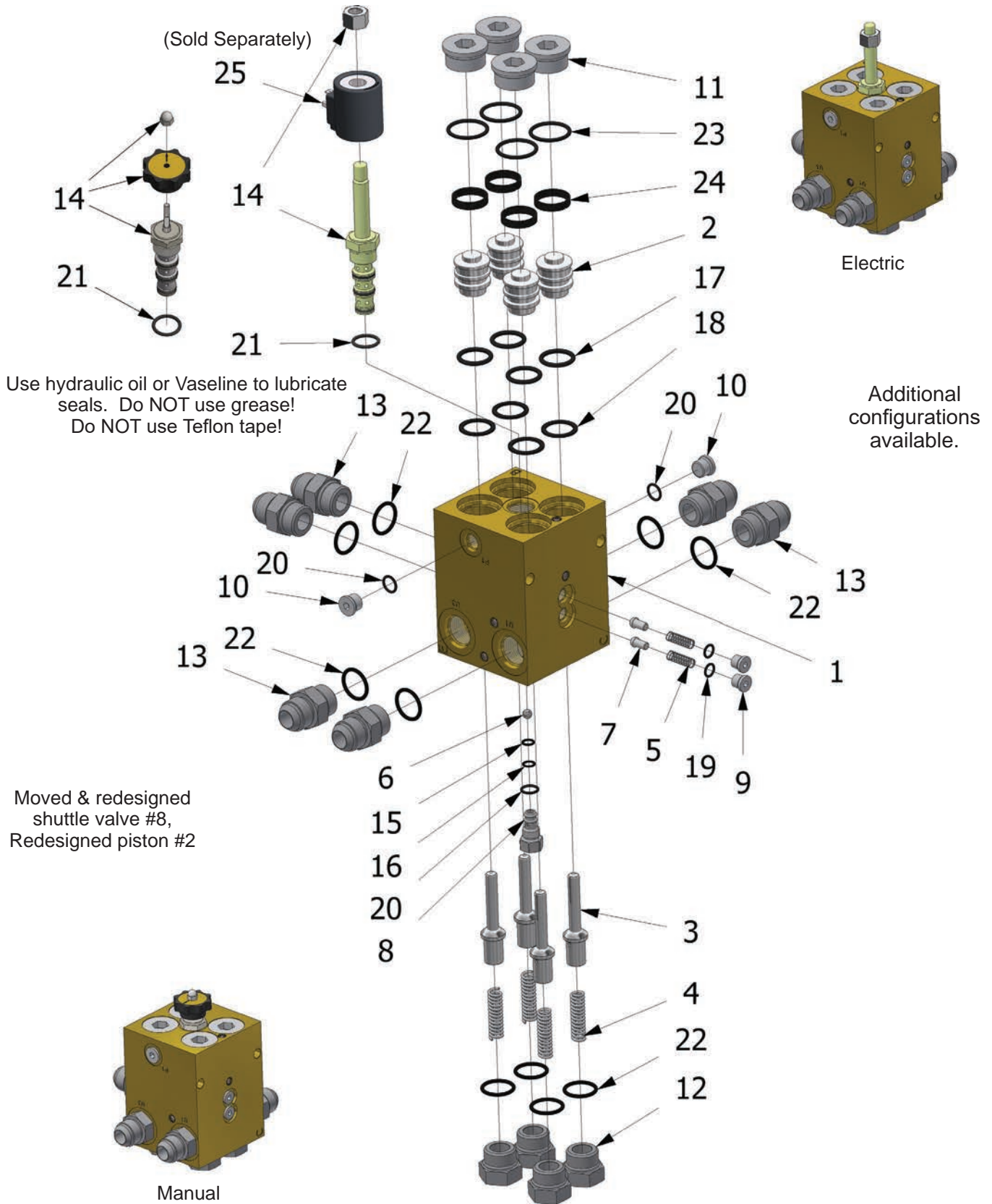
Control Valve (Load/Unload) Assembly - Manual

ID#	Qty	Part #	Description
1	-	02552702	Control Valve Load/Unload Assembly (Includes items 2-8)
2	1	01049501	Body Control Valve (not sold separately)
3	1	03423202	Spool Control Valve Metric - RED (not sold separately)
-	-	03877901	Seal Kit Control Valve Load/Unload (Includes items 4-6)
4	2	84381800	O-Ring 214 B-70
5	2	84427000	Wiper 1" Rod
6	4	84387200	O-Ring 910 BUNA 90
7	4	84684900	12-10 F5OX-S STRAIGHT THREAD CONNECTOR MJIC X M O-RING (6400-12-10)

Handle Assembly

ID#	Qty	Part #	Description
10	-	11310302	Handle Assembly Control Valve Load/Unload (Includes Items 11-14)
11	1	06998701	Spool End Stop (Critical for Assembly)
12	1	11229430	Control Valve Handle Assembly (See Handle Section for more options)
13	1	87101500	Nut Hex M10
14	1	87076500	Washer Lock 10mm

Control Valve (Load/Unload) Assembly - Electric/Manual (Jan 2022 - Present)



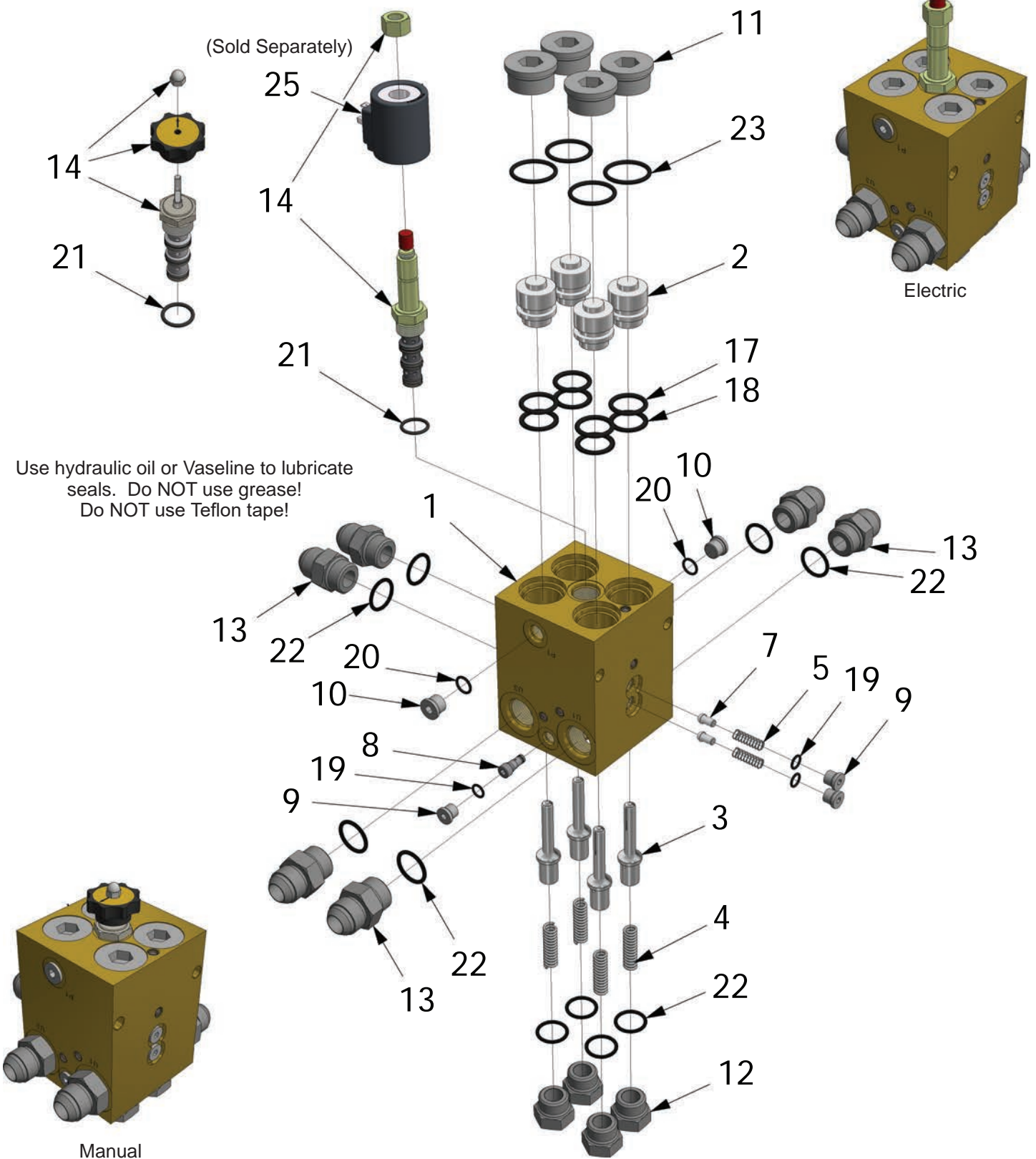
Control Valve (Load/Unload) Assembly - Electric/Manual (Jan 2022 - Present)

ID#	Qty	Electric Part #	Manual Part #	Description
-(1)	-	03244610	03244630	Control Valve (Load/Unload) Assembly (Includes items 1-24)
1	1	03134702		CONTROL VALVE 6 PORT TWO-WAY (Black) (not sold separately)
2	4	03123601		PISTON, CHECK VALVE ACTUATOR
3	4	03138401		PILOT OPERATED CHECK VALVE
4	4	84453400		SPRING CHECK VALVE EXTERNAL LARGE #B-18273
5	2	84450800		SPRING, .328" OD X 1.0" LG, .027 WIRE, 10.5 COILS
6	1	84800500		5/16" CHROME BALL
7	2	11287801		POPPET 6-PORT CTV 032446 TO TANK
8	1	11308201		SHUTTLE VALVE SEAT 6 PORT #32446
9	2	84687300		04 HP50N-S HOLLOW HEX PLUG M O-RING HEX SOCKET
10	2	84687400		06 HP50N-S HOLLOW HEX PLUG M O-RING HEX SOCKET
11	4	84687900		16 HP50N-S HOLLOW HEX PLUG M O-RING HEX SOCKET
12	4	10014101		-12 END CAP MODIFIED
13	6	84685000		12 F50X-S STRAIGHT THREAD CONNECTOR MJIC X M O-RING
14	1	85108800	-	Solenoid Valve SV-10-40M-0-N-0 HF (85108802 Nut Hex 1/2-20)
		-	85105200	Cartridge Valve MRV4-10-K-O VIC
-	-	85108798		Seal Kit for Cartridge Valves
-	-	04661701		Seal Kit Control Valve Electric (Includes items 17-24)
15	1	84375200		011 O-RING BUNA 90
16	1	84388406		011 BACK-UP BUNA 90
17	4	84381200		213 O-RING BUNA 90
18	4	84391200		8-213 BACK-UP BUNA 90
19	2	84386600		904 O-RING BUNA 90
20	3	84386800		906 O-RING BUNA 90
21	1	84387200		910 O-RING BUNA 90
22	10	84387400		912 O-RING BUNA 90
23	4	84387800		916 O-RING BUNA 90
24	4	84405415		WEAR RING BRONZE PTFE 1/4 X 1/16
25	1	varies	-	Coil (Sold Separately) Contact KEITH for Information

(1) Part number and descriptions vary based on drive configuration and application.

Control Valve (Load/Unload) Assembly - Electric/Manual (Mar 2000 - Jan 2022)

Obsolete Design



Control Valve (Load/Unload) Assembly - Electric/Manual (Mar 2000 - Jan 2022)

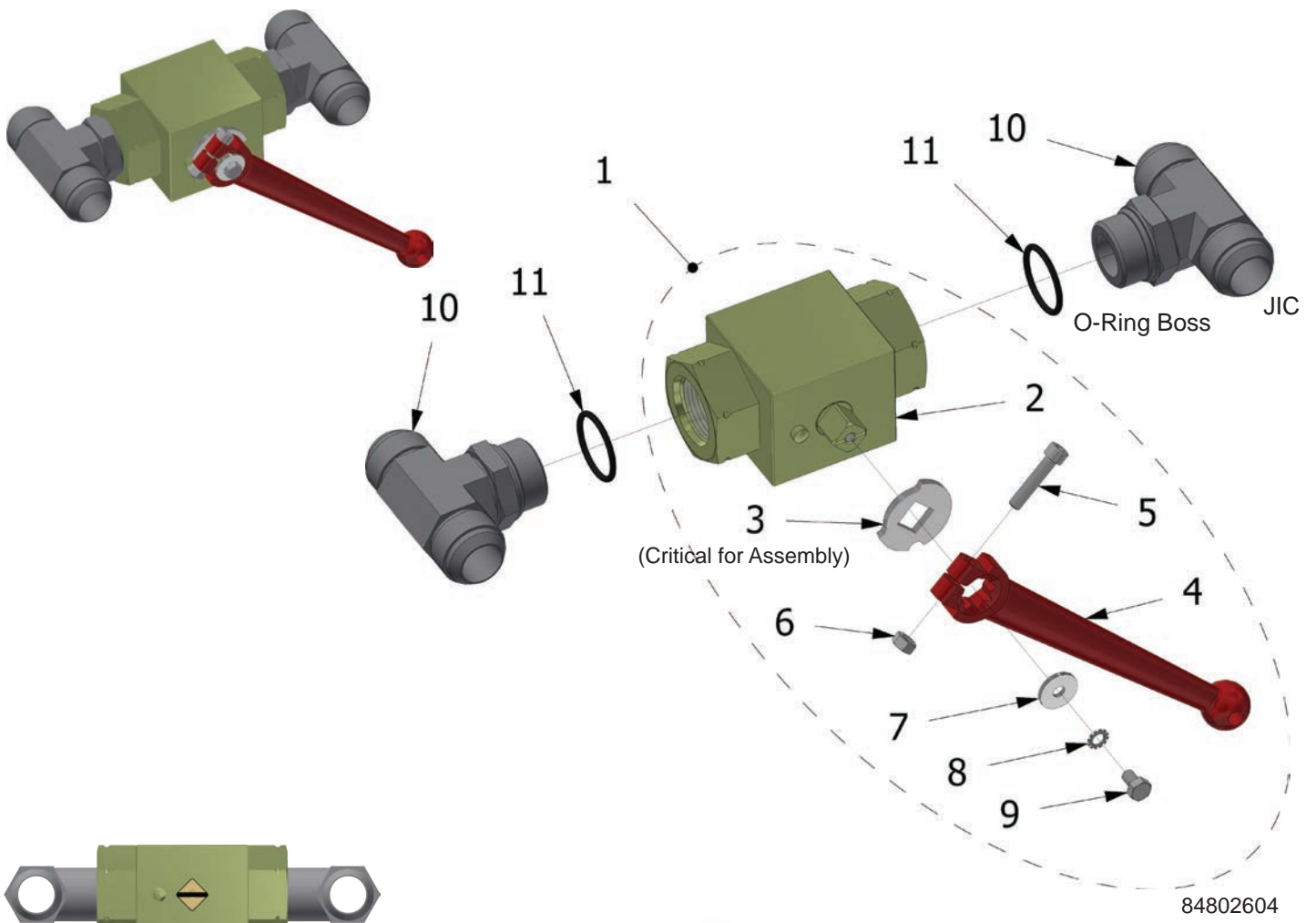
ID#	Qty	Electric Part #	Manual Part #	Description
-(¹)	-	03244610	03244630	Control Valve (Load/Unload) Assembly (Includes items 1-23)
1	1	03134701		Electric Control Valve Body
2	4	03123601		Plunger Pilot Operated Check Valve
3	4	03138401		Pilot Operated Check Valve
4	4	84453400		Ext Check Valve Spring Large
5	2	84450800		I-9 Spring
7	2	11287801		Poppet 6-Port CTV 032446 To Tank (Replaces 84800500 5/16" Chrome Ball)
8	1	85104800		Shuttle Valve LS04-B-30-0-N
9	3	84687300		6409-04 MSAE O-Ring Socket Plug
10	2	84687400		6409-06 MSAE O-Ring Socket Plug
11	4	84687900		6409-16 MSAE O-Ring Socket Plug
12	4	10014101		-12 Pilot Operated Spring End Cap (Replaces 03860201 Spring Cap)
13	6	84685000		6400-12-12 MSAE-MJIC Straight Connector
14	1	85108800	-	Solenoid Valve SV-10-40M-0-N-0 HF (85108802 Nut Hex 1/2-20)
		-	85105200	Cartridge Valve MRV4-10-K-O VIC
-	-	85108798		Seal Kit for Cartridge Valves
-	-	04661701		Seal Kit Control Valve Electric (Includes items 17-23)
17	4	84381200		O-Ring 213 Buna 90
18	4	84391200		O-Ring Back-Up 8-213 Buna 90
19	3	84386600		O-Ring 904 Buna 90
20	2	84386800		O-Ring 906 Buna 90
21	1	84387200		O-Ring 910 Buna 90
22	10	84387400		O-Ring 912 Buna 90
23	4	84387800		O-Ring 916 Buna 90
25	1	varies	-	Coil (Sold Separately) Contact KEITH for Information

Obsolete Design

(¹) Part number and descriptions vary based on drive configuration and application.

Note: All new control valve assemblies are interchangeable with past assemblies. Internal parts are not necessarily interchangeable.

Ball Valve (On/Off) Assembly JIC & ORFS- Manual



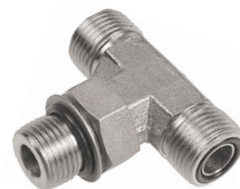
84802604



Open - Off Position



Closed - On Position



O-Ring Boss

Face Seal



NPT

JIC

Use pipe dope on NPT threads.



12

(sold separately)



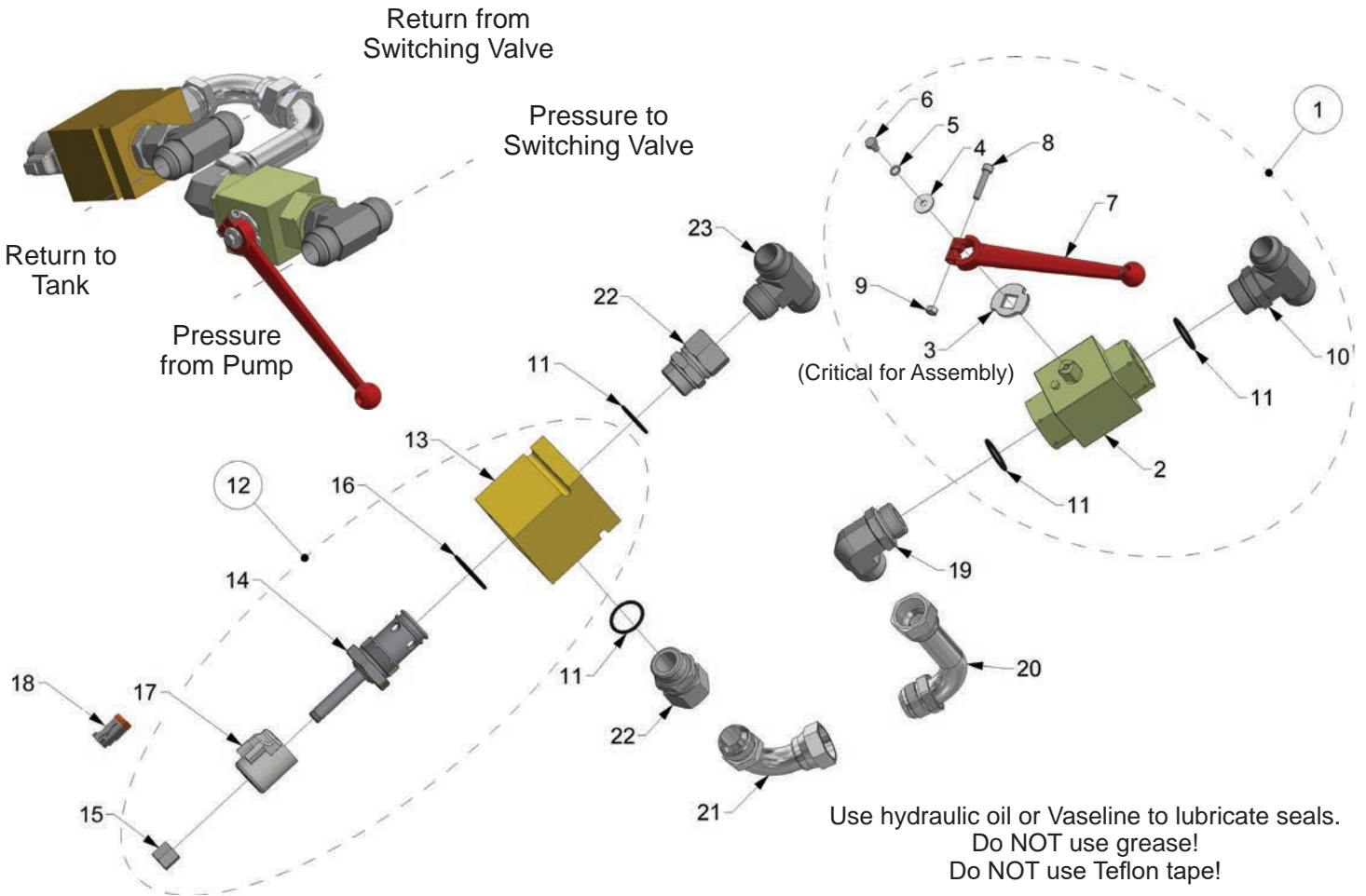
13

Use hydraulic oil or Vaseline to lubricate seals.
Do NOT use grease!
Do NOT use Teflon tape!

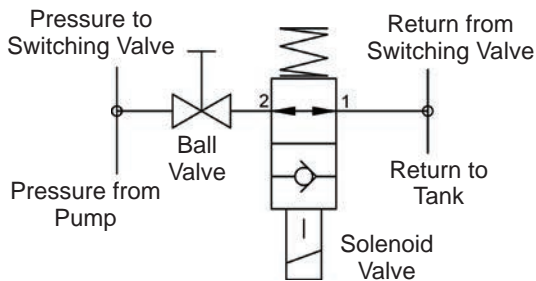
Ball Valve (On/Off) Assembly JIC & ORFS - Manual

ID#	Qty	O-Ring Boss		NPT	Description
		ORFS Part #	JIC Part #	JIC Part #	
-	-	84802630	84802604	84802600	BALL VALVE 1" ASSEMBLY (Includes items 1-11)
1	1	84802620		-	BALL VALVE 1" O-RING BOSS W/ HANDLE NO TEES (Includes items 2-9)
		-		84802800	BALL VALVE 1" BKH 1NPT-1123 W/ HANDLE HEX BOLT & FLAT WASH (Includes items 2-9)
2	1	84802605		-	BALL VALVE BODY 1" O-RING BOSS
		-		84802859	BALL VALVE BODY AE2N1-11DB NPT?
3	1	84802910			Spud Stop LW56 (Critical for Assembly)
4	1	84802900			Ball Valve Handle Assembly (Includes items 4-6)
5	1	87003100			Bolt Socket Head GR8 6mmx1mmx30mm
6	1	87100510			Nut Hex 6mmx1mm
-	-	87075503			Handle to BV Bolt Kit (Includes items 7-9)
7	1	87075400			Washer Flat 6 mm
8	1	87075501			Star Washer External Tooth M6
9	1	87002460			Bolt Hex GR8 6mmx1mmx12mm
10	2	84703938	-		16 S5OLO-S 16-16-16 STRAIGHT THREAD BRANCH TEE FACE SEAL
			84692110	-	16 S5OX-S STRAIGHT THREAD TEE MJIC X MJIC X ADJ O-RING (6803-16-16-16)
		-		84677880	16 STX-S MALE BRANCH TEE MJIC X MJIC X MPIPE
11	2	84387800		-	916 O-RING BUNA 90
12	1	-	11467301		PLATE ID RED PRESSURE (sold separately)
13	1	-	11467302		PLATE ID BLUE TANK (sold separately)

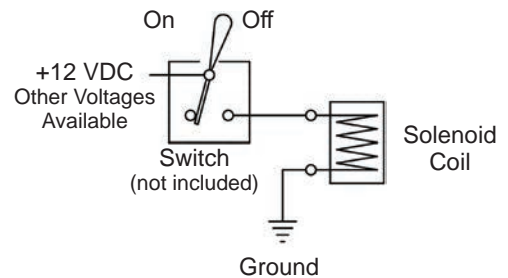
Ball Valve (On/Off) Assembly JIC - Electric



Hydraulic Schematic



Wiring Diagram



INSTALLATION

1. Remove the existing ball valve. It is mounted on the front of the drive frame, on the drivers side, between the pressure and return lines.
2. Install the electrical on/off control assembly.
3. Connect the pressure and return lines as shown.
4. Supply electrical power to the solenoid.
5. Install the switch in the electrical supply coil.
6. Run the wiring in water-tight flex conduit.

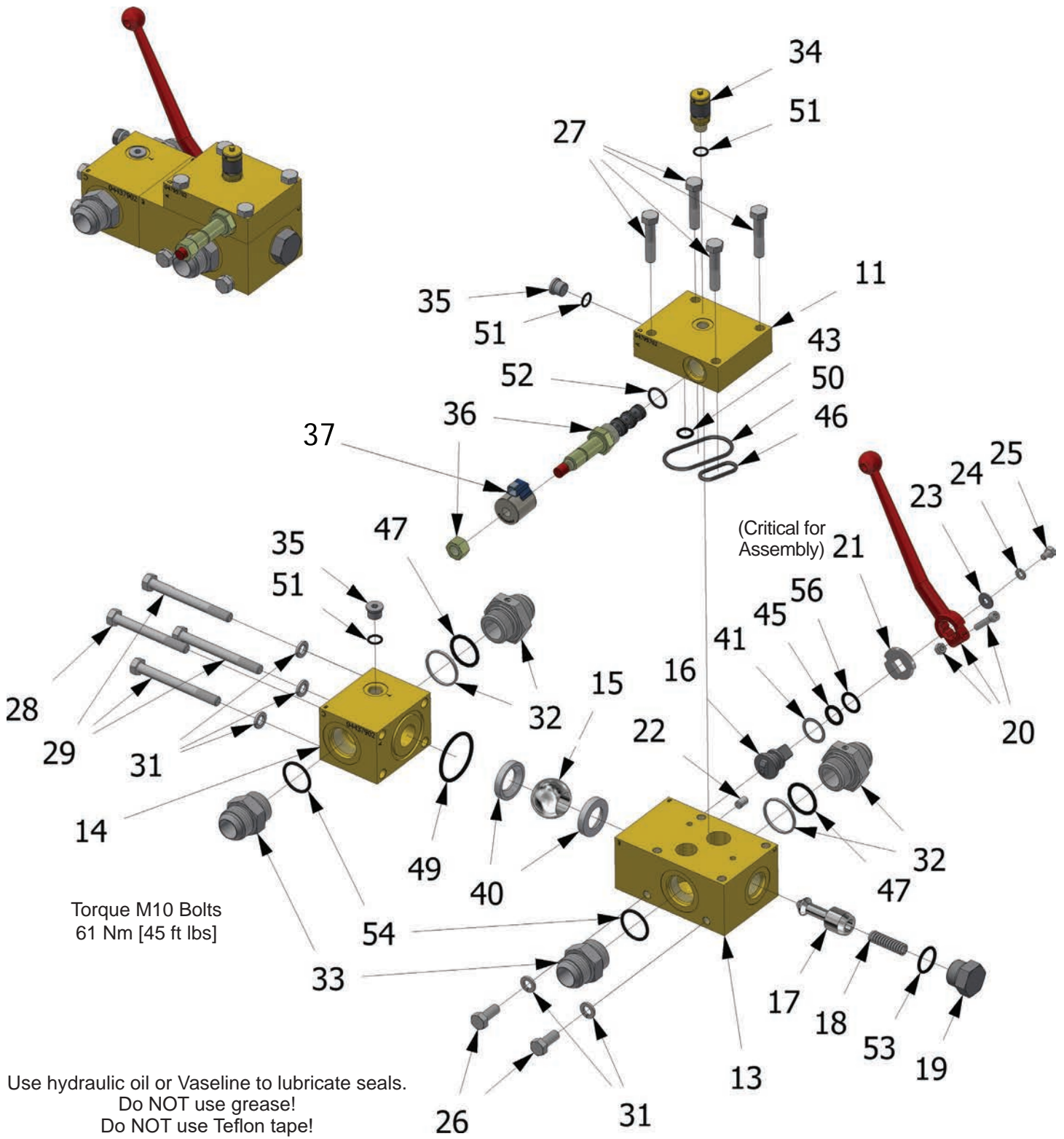
OPERATION

1. Shift the ball valve handle to the open position.
 2. Set the electrical switch to the Off position.
 3. Engage the PTO to start the hydraulic pump.
 4. Turn electrical switch to the On position to start the walking floor. (Solenoid coil must be energized for the walking floor to move.)
- To start or stop the floor using the manual ball valve on the drive.
- Set the electrical switch to the Off position.
 - Close the ball valve to start the walking floor.
 - Open the ball valve to stop the walking floor.

Ball Valve (On/Off) Assembly JIC - Electric

ID#	Qty	O-Ring Boss JIC Part #	NPT JIC Part #	Description
-	-	03426601		Electric On/Off Ball Valve Assy (Includes items 1-23)
1	1	84802604	84802601	Manual On/Off Ball Valve Assy (Includes items 2-11)
2	1	84802620	-	Ball Valve Body Assy 1" O-Ring Boss (Includes items 3-6)
		-	84802800	Ball Valve 1" BKH 1NPT-1123 w/Handle, Bolt & Flat Washer (Includes items 3-6)
3	1	84802910		Spud Stop (critical for assembly)
4	1	87075400		Washer Flat 6mm
5	1	87075501		Star Washer External Tooth M6
6	1	87002460		Bolt Hex GR8 6mm x 1mm x 12mm
7	1	84802900		Ball Valve Handle Assembly (Includes items 8-9)
8	1	87003100		Bolt Socket Head GR8 6mmx1mmx30mm
9	1	87100510		Nut Hex 6mm x 1mm
10	1	84692110	-	16 S5OX-S STRAIGHT THREAD TEE MJIC X MJIC X ADJ O-RING (6803-16-16-16)
		-	84677880	16 STX-S MALE BRANCH TEE MJIC X MJIC X MPIPE (2601-16-16-16)
11	4,2	84387800		916 O-Ring Buna 90
12	1	85108200		Electric Solenoid Valve Assembly (Includes items 11-17)
13	1	85101600		Body Valve 20822 566409 2-Way
14	1	85108120		Valve Cartridge SV3-20-0-16H-12DN
-	-	85108798		Seal Kit for Cartridge Valves
15	1	85108001		NUT SV3 VALVE CART 02-175698
16	1	84388000		920 O-Ring Buna 90
17	1	85602615		Coil, 12 VDC w/Deutsch Conn. Vickers
18	1	06414701		CONNECTOR KIT DEUTSCH DT06-2S
19	1	84691800	-	16 C5OX-S STRAIGHT THREAD ELBOW MJIC X ADJ O-RING (6801-16-16)
		-	84677400	2501-16-16 Male Elbow 84691800
20	1	84683700		63UC-16-16 Long Bent Stem 90 Deg.
21	1	84683200		63UA-16-16 Bent Stem 90 Deg.
22	2	84686200		6402-16-16 Swivel St. Thread Connector
23	1	84678100		2603-16-16-16 Union Tee

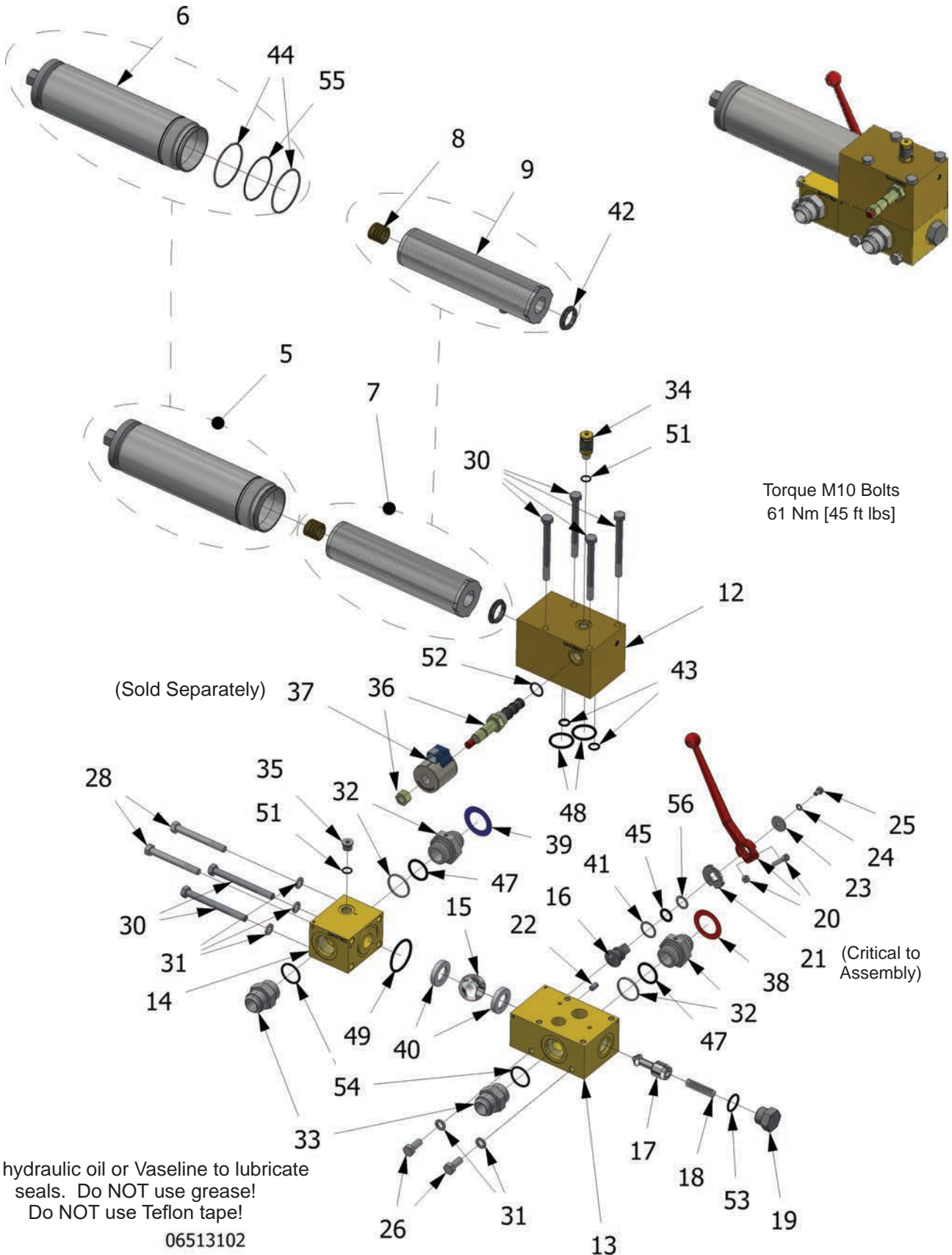
Ball Valve (On/Off) Assembly - Manual / Electric



Ball Valve (On/Off) Assembly - Manual / Electric

ID#	Qty	Part #	Description
-	-	04718802	Pilot Operated Electric Manual On / Off Valve Assembly (Includes all items below)
11	1	04795702	COVER PLATE PO EBV ECKV PLATE PO BV
13	1	04436602	BODY PO ON/OFF BV KRFII WH KFD MET
14	1	04437902	BODY NON-VALVE PO ON/OFF KRFII WH MET MAN/ELE BV
15	1	04337101	BALL VALVE BALL KFD KRFII MAN/ELECT EUROPE & STAS
16	1	04438101	SHAFT SPUD KRFII KFD WH PO ELEC ON/OFF BALL VALVE
17	1	04438401	POPPET BALL VALVE PO ON/OFF
18	1	84453400	SPRING B-18273 EXT CKV LARGE
19	1	84686900	12 P5ON-S HEX HEAD PLUG M O-RING HEX CAP (6408-O-12)
20	1	04657801	HANDLE BALL VALVE BENT USED WITH MODULAR BALL VALVE
20	1	87004120	BOLT SOCKET HEAD 6MMX30MM ZN
20	1	87100510	NUT HEX 6MM-1.0 ZINC
21	1	84802910	SPUD STOP LW56 / BALL VALVE (Critical to Assembly)
22	1	86651500	PIN DOWEL 5/16X1/2
23	1	87075410	WASHER FENDER FLAT 6MM ZN DIN 9021
24	1	87075501	WASHER LOCK M6 EXTERNAL TOOTH
25	1	87002450	BOLT HEX GR8.8 6MMX10MM
26	2	87008480	BOLT HEX 10.9 10MMX25MM HCS
27	4	87008530	BOLT HEX GR10.9 10MM-1.5 X 50MM ZINC
28	1	87010500	BOLT HEX 10.9 10MMX90MM
29	3	87011000	BOLT HEX 10.9 10MM X 100MM 17MM HEAD
31	5	87076500	WASHER LOCK 10MM ZN
32	2	84671400	16 F40MX-S STRAIGHT BSPP MJIC X BSPP (7002-16-16)
33	2	84685400	16 F5OX-S STRAIGHT THREAD CONNECTOR MJIC X M O-RING (6400-16-16)
34	1	84904000	PRESSURE TEST COUPLER SMK20-G1/4-VC
35	2	84687400	06 HP5ON-S HOLLOW HEX PLUG M O-RING HEX SOCKET (6408-H06-O)
36	1	85108800	VALVE CART. SV10-40M-0-N-00 HF
36	1	85108802	NUT COIL HF SV10-40M HF # 7004590
37	1	85600250	COIL 24VDC 4303724 HF SV1 DEUT DEUTSCH CONNECTOR
38	1	11467301	PLATE ID KRFII-KFD 1" BV PRESS RED
39	1	11467302	PLATE ID KRFII-KFD 1" BV TANK BLUE
-	-	06932301	Seal Kit On/Off Ball Valve (Includes items 40 - 56)
-	-	85108798	Seal Kit for Cartridge Valves
40	2	04337301	BUSHING SEAL BALL VALVE ELEC ON/OFF
41	1	04337601	SPUD WEAR WASHER MAN/ELE BV
43	2	84376300	112 O-RING BUNA 90
45	1	84379600	208 O-RING BUNA 90
46	2	84382200	216 O-RING BUNA 90
47	2	84382600	217 O-RING BUNA 90
49	1	84383800	225 O-RING BUNA 90
50	2	84384000	228 O-RING BUNA 90
51	3	84386800	906 O-RING BUNA 90
52	1	84387200	910 O-RING BUNA 90
53	1	84387400	912 O-RING BUNA 90
54	2	84387800	916 O-RING BUNA 90 N1490-50
56	1	84390100	208 O-RING BACKUP BUNA 90

Electric On/Off Valve Assembly JIC w/Integrated Filter



Torque M10 Bolts
61 Nm [45 ft lbs]

(Sold Separately) 37

21 (Critical to Assembly)

Use hydraulic oil or Vaseline to lubricate seals. Do NOT use grease!
Do NOT use Teflon tape!

06513102

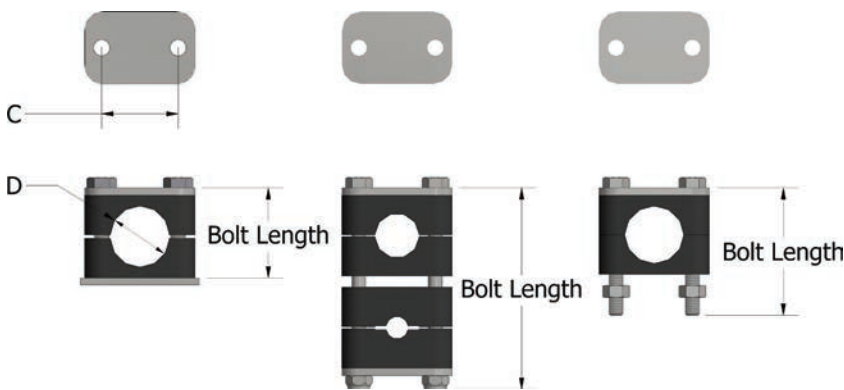
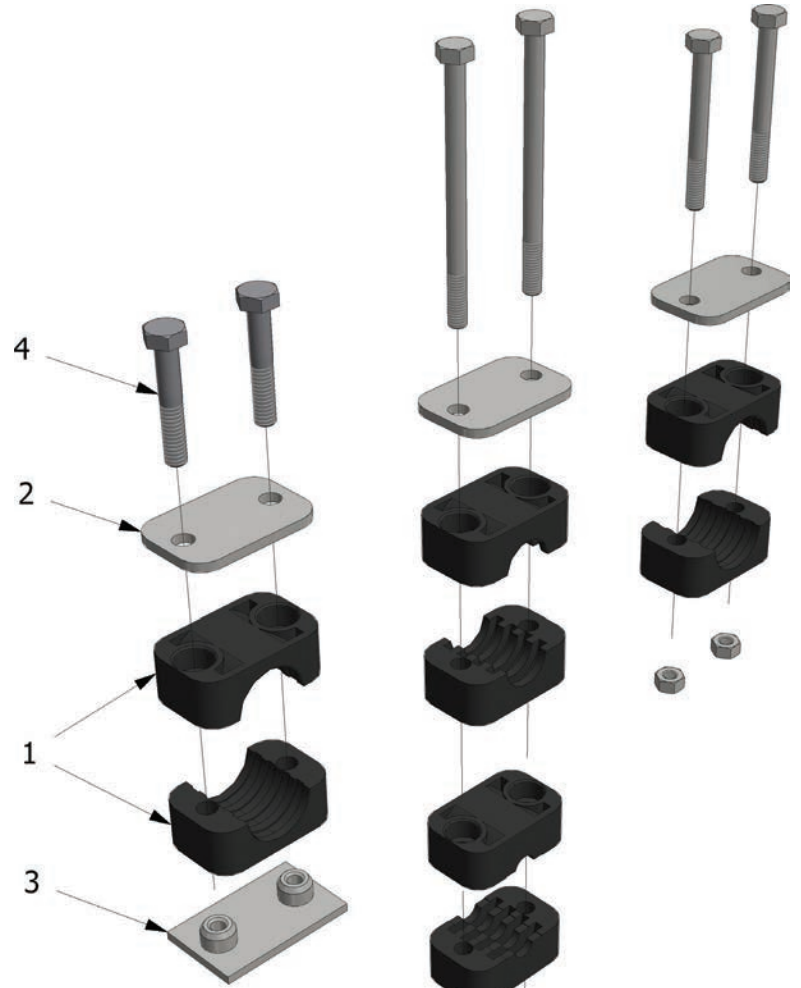
Electric On/Off Valve Assembly JIC w/Integrated Filter

ID#	Qty	Part #	Description
-	-	06513102	Electric On/Off Ball Valve w/Filter Assembly (Includes all below except item 37)
5	-	06151502	Welded Filter Canister Assembly w/O-Rings (Includes items 6, 44 & 55)
6	1	06151501	WELD FILTER CANISTER ARLON WH Filter Canister
7	-	07914501	Filter, Seal & Spring Kit (Includes items 8-9 & 42)
8	1	84450210	SPRING BYPASS 45PSI #S-02118 83.06.012.34
9	1	84006520	FILTER PARKER ARLON MXW 2-20B FAIREY ARLON WAS MXW2-GDL20
12	1	04436502	FILTER BLOCK ARLON ON/OFF BV
13	1	04436602	BODY PO ON/OFF BV KRFII WH KFD MET
14	1	04437902	BODY NON-VALVE PO ON/OFF KRFII WH MET MAN/ELE BV
15	1	04337101	BALL VALVE BALL KFD KRFII MAN/ELECT EUROPE & STAS
16	1	04438101	SHAFT SPUD KRFII KFD WH PO ELEC ON/OFF BALL VALVE
17	1	04438401	POPPET BALL VALVE PO ON/OFF
18	1	84453400	SPRING B-18273 EXT CKV LARGE
19	1	84686900	12 P5ON-S HEX HEAD PLUG M O-RING HEX CAP (6408-O-12)
20	1	04657801	HANDLE BALL VALVE BENT USED WITH MODULAR BALL VALVE
20	1	87004120	BOLT SOCKET HEAD 6MMX30MM ZN
20	1	87100510	NUT HEX 6MM-1.0 ZINC
21	1	84802910	SPUD STOP LW56 / BALL VALVE
22	1	86651500	PIN DOWEL 5/16X1/2
23	1	87075400	WASHER FLAT 6MM
24	1	87075501	WASHER LOCK M6 EXTERNAL TOOTH
25	1	87002450	BOLT HEX GR8.8 6MMX10MM
26	2	87008470	BOLT HEX 10.9 10MM-1.5 X 20MM ZN HCS
28	2	87010500	BOLT HEX 10.9 10MMX90MM
30	6	87011500	BOLT HEX 10.9 10MMX110MM
31	5	87076500	WASHER LOCK 10MM ZN
32	2	84671400	16 F40MX-S STRAIGHT BSPP MJIC X BSPP (7002-16-16)
33	2	84685400	16 F50X-S STRAIGHT THREAD CONNECTOR MJIC X M O-RING (6400-16-16)
34	1	84904000	PRESSURE TEST COUPLER SMK20-G1/4-VC
35	1	84687400	06 HP5ON-S HOLLOW HEX PLUG M O-RING HEX SOCKET (6408-H06-O)
36	1	85108800	VALVE CART. SV10-40M-0-N-00 HF
36	1	85108802	NUT COIL HF SV10-40M HF # 7004590
37	-	Varies	Coil - (Sold Separately) - Call for Information
38	1	11467301	PLATE ID KRFII-KFD 1" BV PRESS RED
39	1	11467302	PLATE ID KRFII-KFD 1" BV TANK BLUE
-	-	06932301	Seal Kit On/Off Ball Valve (Includes items 40 - 56)
-	-	85108798	Seal Kit for Cartridge Valves
40	2	04337301	BUSHING SEAL BALL VALVE ELEC ON/OFF

Electric On/Off Valve Assembly JIC w/Integrated Filter

ID#	Qty	Part #	Description
41	1	04337601	SPUD WEAR WASHER MAN/ELE BV
42	1	84350100	SEAL BUNA BYPASS GASKET FCP 03-400 (81.14.150.30)
43	2	84376300	112 O-RING BUNA 90
44	2	84378447	147 O-RING BUNA 90
45	1	84379600	208 O-RING BUNA 90
46	1	84382200	216 O-RING BUNA 90
47	2	84382600	217 O-RING BUNA 90
48	2	84382800	218 O-RING BUNA 90
49	1	84383800	225 O-RING BUNA 90
51	2	84386800	906 O-RING BUNA 90
52	1	84387200	910 O-RING BUNA 90
53	1	84387400	912 O-RING BUNA 90
54	2	84387800	916 O-RING BUNA 90 N1490-90
55	1	84389047	147 O-RING BACKUP BUNA 90
56	1	84390100	208 O-RING BACKUP BUNA 90

Tube Clamps



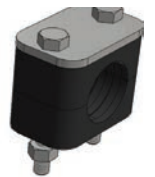
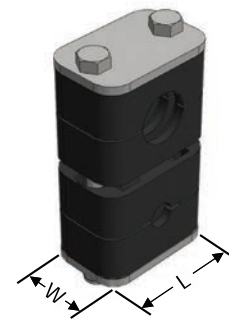
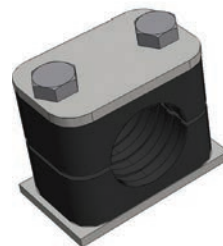
Group 3

L = 1.875"

W = 1.219"

C = 1.300"

D = Tube Diameter



Tube Clamps

ID#	Qty	Part #	Part #	Part #	Part #	Part #	Part #	Part #	Description
-	-	04631101	-	-	-	-	-	-	Tube Clamp Assembly 1" Tube Group 3 3100-PP
-	-	-	04631102	-	-	-	-	-	Tube Clamp Assembly 3/4" Tube Group 3 3075-PP
-	-	-	-	04631103	-	-	-	-	Tube Clamp Assembly 3/8" Tube Group 3 3038-PP
-	-	-	-	-	04631104	-	-	-	Tube Clamp Assembly 1/2" Tube Group 3 30840-PP
-	-	-	-	-	-	04631105	-	-	Tube Clamp Assembly 7/8" Tube Group 3 3087-PP
1	1 pair	84750300	-	-	-	-	-	-	Clamp 1" Tube Group 3 3100-PP
1	1 pair	-	84750200	-	-	-	-	-	Clamp 3/4" Tube Group 3 3075-PP
1	1 pair	-	-	84750100	-	-	-	-	Clamp 3/8" Tube Group 3 3038-PP
1	1 pair	-	-	-	84750060	-	-	-	Clamp 1/2" Tube Group 3 30840-PP
1	1 pair	-	-	-	-	84750230	-	-	Clamp 7/8" Tube Group 3 3087-PP
2	1-2	84751200	84751200	84751200	84751200	84751200	-	-	Cover Plate COP-03
3	1	-	-	84748990	84748990	84748990	-	-	Bolt Plate - Weld On STW-03 1/4"
3	1	-	-	-	-	-	84748991	-	Bolt Plate - Weld On STW-03 1/4" Unplated
3	1	-	-	-	-	-	84748992	-	Bolt Plate - Weld On STW-03 1/4" SS
3	1	-	-	-	-	-	84748995	-	Bolt Plate - Weld On STW-03 M6
4	2	-	86416500	-	-	-	-	-	Hex Bolt 1/4" x 1-1/2
4	2	86419500	-	86419500	86419500	86419500	-	-	Hex Bolt 1/4" x 2-1/4"
4	2	-	-	-	-	-	87004510	-	Hex Bolt 6mm x 1 x 55mm
4	2	-	-	-	-	-	87004600	-	Hex Bolt 6mm x 1 x 85mm
4	2	-	-	-	-	-	87004570	-	Hex Bolt 6mm x 1 x 70mm
5	2	86626000	86626000	86626000	86626000	86626000	-	-	Hex Nut - Nylock 1/4"-20
5	2	-	-	-	-	-	87105000	-	Hex Nut - Nylock M6x1